

C FRAME TYPE TRACK LINK PIN PRESS WITH SPROCKET REMOVAL FIXTURE

ATPS SERIES

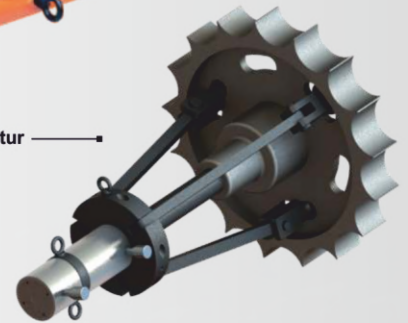
Capacity: 100 TON
Stroke: 350 mm

FEATURES

- Removal & Installation of Track Link Pins & Bushes.
- Maintenance of track chains in workshops & on sites.
- Choice of tooling to suit range of track pins dia 19 - 60 mm for all brands of Earth moving equipment.
- Operated by Hand pump or Power Pack Unit.
- Sprocket puller as per required length (optional).
- Guard for safe operation.
- Box for storage.



Sprocket Puller Fixtur



TRACK LINK PIN PRESS TIE ROD TYPE

ATRT SERIES (ECONOMY RANGE)

Capacity: 150 TON
Stroke: 150 mm

FEATURES

- Removal & Installation of Track Link Pins & Bushes.
- Maintenance of track chains in workshops & on sites.
- Choice of tooling to suit range of track pins for all brands of Earth moving equipment.
- Sprocket puller optional.
- Guard for safe operation.
- Box for storage.

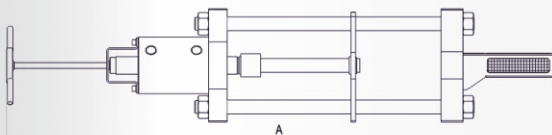
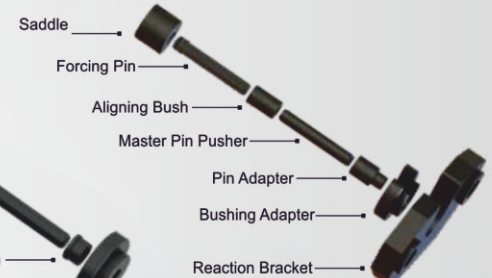


Toolings

Pin Removal / Installation



Bush Removal / Installation



Model	Rated capacity (ton)	Capacity @ 700 bar (kN)	Stroke (mm)	A Overall Length (mm)	B Height (mm)	C Width (mm)	Wt. (Approx.) (kg)	Pin dimensions		Suitable power pack
								Min. dia. (mm)	Max. dia. (mm)	
ATRT 150-150H	150	1649	150	2430	490	360	320	22	70	APE-554