

TENSION METER & LOAD CELLS

ALH / ATM SERIES

Capacity: 900 - 90,000 kg
Accuracy (% of full scale) : ±2%

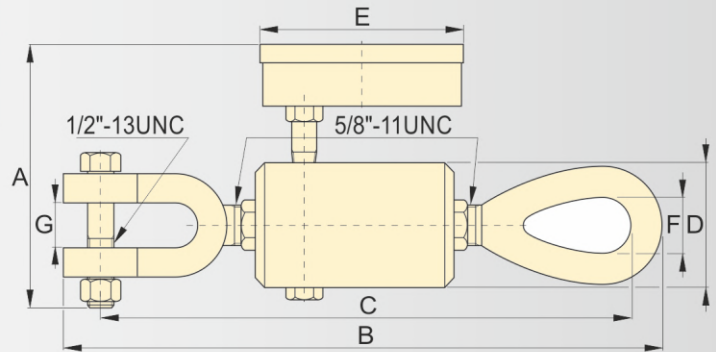


Shown: ALH-102 and ATM-5 (in middle)



Tension Meter TM-5

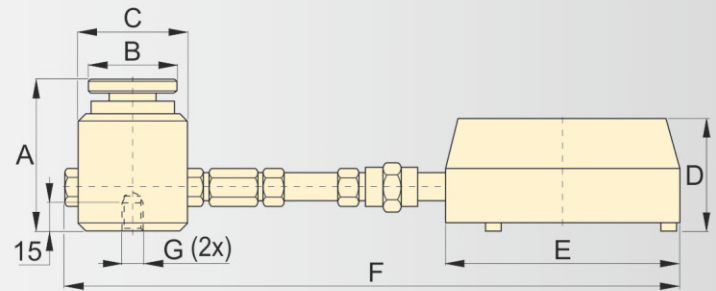
- Accuracy ±2% of full scale.
- Zinc and bronze plated to resist corrosion.
- Dual-range readout in kilograms and pounds.
- Cushioned metal case provides safe storage and transport.



ATM-5

Load Cells LH-Series

- Accuracy ±2% of full scale.
- Swivel loading pad reduces eccentric loading for improved accuracy.
- Maximum indicating pointer reading pre-selected forces or to maintain maximum force readings.
- Dual-range readout in kilograms and pounds.



ALH-Series

Model Number	Type	Gauge Capacity		Minimum Reading		Gauge Increments		Dimensions (mm)						
		(kg)	(lbs)	(kg)	(lbs)	(kg)	(lbs)	A	B	C	D	E	F	G
ATM-5	Direct Mounted	4,500	10,000	500	1,000	100	100	120	247	236	50	93	22	19
ALH-10	Direct Mounted Load Cell	900	2,000	100	200	20	20	77	44	57	60	101	215	1/4"- 20, 44,5 BC
ALH-50		4,500	10,000	500	1,000	100	100	77	44	57	60	101	215	1/4"- 20, 44,5 BC
ALH-102	Remote Mounted with 0,6 m Hose	900	2,000	100	200	20	20	77	44	57	60	147	846	1/4"- 20, 44,5 BC
ALH-502		4,500	10,000	500	1,000	100	100	77	44	57	60	147	846	1/4"- 20, 44,5 BC
ALH-1002		9,000	20,000	1,000	2,000	200	200	77	44	57	60	147	846	1/4"- 20, 44,5 BC
ALH-2506	Remote Mounted with 1,8 m Hose	21,000	50,000	3,000	5,000	500	500	101	69	85	60	147	2094	3/8"- 24, 63 BC
ALH-5006		45,000	1,00,000	5,000	5,000	1,000	1,000	132	101	127	60	147	2135	3/8"- 24, 89 BC
ALH-10006		90,000	2,00,000	10,000	10,000	1,000	2,500	158	127	158	60	147	2166	3/8"- 24, 102 BC