

## ROTARY AIR PUMP

### ARD/ARM SERIES

Flow Rate : 22 in<sup>3</sup> to 70 in<sup>3</sup>

Motor : 1.7 hp to 4 hp

Max. Operating Pressure: 10,000psi

Air Pressure Range: 60 - 100psi

Usable Oil Capacity: 3785 - 11356 cm<sup>3</sup>



#### Related Product: Hoses

We offer a variety of hoses, fittings, lengths and materials.

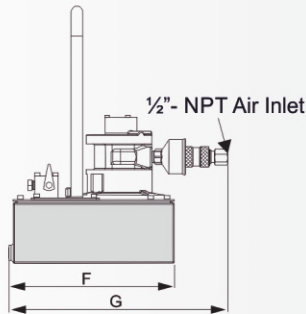
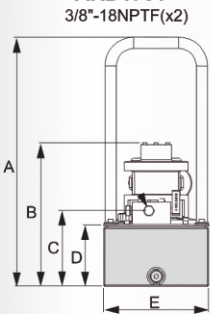


#### Related Product: Gauges

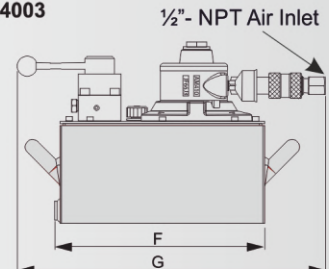
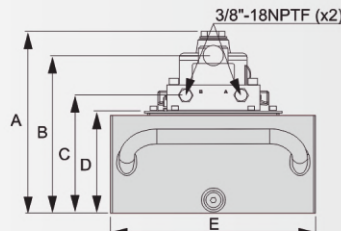
Reduce the risk of overloading your product by using a gauge. A variety of graduations and types of gauges to suit any need.



ARD1701  
3/8"-18NPTF(x2)



AR1703 and AR4003



Model Number	Used with Cylinder	Motor Size (hp)	Usable Oil Capacity (cm <sup>3</sup> )	Pressure Rating (psi)	Pressure Rating		Oil Output Flow Rate		Valve Type	Valve Function	Air Pressure Range (psi)
					1 <sup>st</sup> Stage (psi)	2 <sup>nd</sup> Stage (psi)	1 <sup>st</sup> Stage (in <sup>3</sup> /min)	2 <sup>nd</sup> Stage (in <sup>3</sup> /min)			
ARD1701	Single Acting	1.7	3785	10,000	700	10,000	313	22	Dump	Advance/Return	60 ~ 80
ARD1703		1.7	11356	10,000	700	10,000	313	22	Dump	Advance/Return	60 ~ 80
AR1703		1.7	11356	10,000	700	10,000	417	22	Manual PW3	Advance/Hold/Return	60 ~ 80
ARD4001		4	3785	10,000	700	10,000	465	70	Dump	Advance/Return	60 ~ 100
ARD4003		4	11356	10,000	700	10,000	465	70	Dump	Advance/Return	60 ~ 100
AR4003		4	11356	10,000	700	10,000	512	70	Manual PW3	Advance/Hold/Return	60 ~ 100
ARM1703	Double Acting	1.7	11356	10,000	700	10,000	417	22	Manual PW4	Advance/Hold/Return	60 ~ 80
ARM4003		4	11356	10,000	700	10,000	512	70	Manual PW4	Advance/Hold/Return	60 ~ 100

Model Number	Air Consumption (cfm)	Max Sound Level (dBA)	Dimensions (mm)							Weight (lbs)
			A	B	C	D	E	F	G	
ARD1701	44	93	485	238.5	147	120	205	313.5	403.8	42
ARD1703	44	93	-	303.5	212	185	305	313.5	456.2	54
AR1703	44	93	303.2	267.5	208.5	185	305	313.5	477.5	55
ARD4001	95	100	485	279.4	147	120	205	313.5	415	54
ARD4003	95	100	-	344.4	212	185	305	313.5	467.3	66
AR4003	95	100	344	267.5	208.5	185	305	313.5	478.5	67
ARM1703	44	93	303.2	267.5	208.5	185	305	313.5	459.2	55
ARM4003	95	100	344	267.5	208.5	185	305	313.5	470.4	67