



ROLLER BEARING PULLER/INSTALLER 100 TON

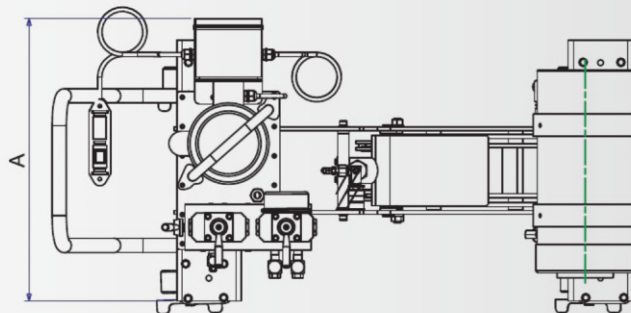
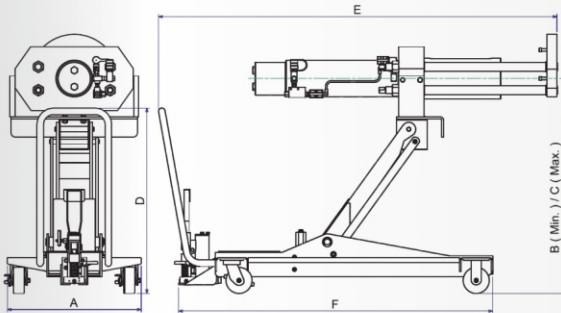
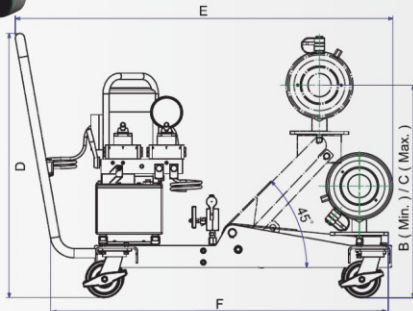
CTR B SERIES (Cartridge Taper Roller Bearing Puller Rail Road Edition)

FEATURES

- Dismantle or Install the tapered roller bearings easily and efficiently.
- Specially designed for the major bearing manufacturers.
- The simple, efficient and easy operation provided with pulling force - 100 Ton.
- Single Unit with portable design for easy, convenient positioning and saving storage space.
- The basic equipment in most wheel shops.

Accessory Description

Pulling Shoe Insert Adapter
Guide Tube & Cap Screw Assembly
Cap Screw**
Guide Tube Adapter
Installing Tube Adapter Ring



Accessory Set for Inch (Class G - GG)



Accessory Set for Metric & Inch (Class B - F)

Class & size (inch) of bearing assembly to be serviced

Accessory Description	Class B 4 1/4" x 8"	Class C 5" x 9"	Class D 5 1/2" x 10"	Class E 6" x 11"	Class EE 5 1/2" Axle.	Class EE 6" Axle.	Class F 6 1/2" x 12"	Class G 7" x 12"	Class G 6 1/2" Axle.	Class GG 6 1/2" Axle.
Pulling Shoe	No. F0442 is included as part of basic machine							F0443	F0443	F0443
Pulling Shoe Insert Adapter	F0440	F0437	F0438	F0439	F0439	F0441	F0441	---	---	---
Guide Tube & Cap Screw Assembly	F0435-1	F0435-2	E2605	E2606	E2607	E2608	E2609	E2611	E2610	E2612
Cap Screw**	H0423	H0424	H0425	H0426	H0427	H0428	H0429	H0430	H0429	H0429
Guide Tube Adapter	B1247	B1246	B1246	B1248	B1248	B1248	B1248	B1248	B1248	B1248
Installing Tube	No. D1044 is included as part of basic machine							D1045	D1045	D1045
Installing Tube Adapter Ring	B1243	D1037	D1038	D1039	D1039	D1040	D1040	D1042	D1041	D1041

Note: Adapter listed above are for servicing the following roller bearing assemblies: Brenco " Crown-Taper ", New Departure-Hyatt " HyRoll Taper ", SKF " Expediter " and Timken " AP " .

* Screws are supplied with the guide tube and should be ordered as replacements only.

SPECIFICATIONS

Model No.	Stroke (mm)	Capacity (Ton)		A (mm)	B (mm)	C (mm)	D (mm)	E (mm)	F (mm)	Weight (kg)
		Pull	Inst.							
CTRB100T	392	100	68	652	370	1047	900	1940-2209	1530	590
CTRB100TE*	392	100	68	652	370	1047	900	1940-2209	1530	805
CTRB100TE*	254	100	68	627	384	731	909	1299	1175	410

* This model is equipped with the Electric Pump - APE554

ELECTRIC PUMP - Specifications

Model No.	Acting	Reservoir Capacity (c.c.)	Function	Motor	Oil Del. (c.c./min. @)			
					0(psi)	100(psi)	5000(psi)	10000(psi)
APE-554.	Double	11000	Adv./Hold /Retract	1.12KW 220V 50/60 Hz Single Phase	8200	7400	840	750