

PORTABLE HIGH TONNAGE JACK

APLE/A SERIES

Capacity: 50 - 200 TON
Stroke: 334 mm
700 Bar (10,000 psi)

FEATURES

- Adjustable, ergonomic handle.
- Handle tilts to start the job and is easily locked/ unlocked without moving from operating position.
- Railroad Edition.

Heavy-duty 50~200 ton lifting capacity.

All steel cylinder is thread into base.

Steel base not prone to cracking like cast.



B-Frame trolley

APLA-5013B



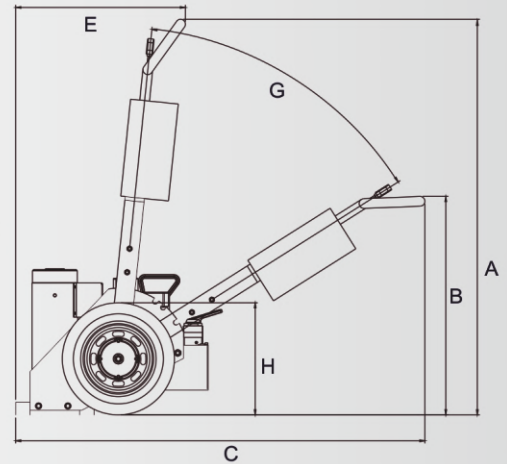
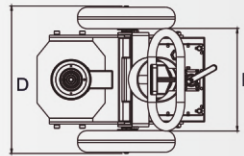
20 ft remote control.

Custom build your tool:

APLA- 10013 6

1 2 3

1. Power
A=Air pump
E=Electric Pump
2. Cyl. Cap. & stroke
5013=ARSR-5013
10013=ARSR-10013
15013=ARSR-15013
3. Trolley
No word=Pail trolley
B=Frame trolley



Model No.	Cylinder	Power Unit	Trolley Type	Valve	Dimensions (mm)						
					A	B	C	D	E	F	G
APLE-5013	ARSR-5013	APE-554TQJ 1-1/8hp 230V 10.7A 50/60Hz Single Phase Max. Press 700 bar	-Pail trolley	Manual 4W3P valve	1538	850	1592	659	660	458	52
APLE-5013B	Cap.: 498kN Stroke:334mm		B-Frame trolley								
APLE-10013	ARSR-10013		-Pail trolley								
APLE-10013B	Cap.: 933kN Stroke:333mm		B-Frame trolley								
APLE-15013	RSR-15013		-Pail trolley								
APLE-15013B	Cap.: 1386kN Stroke:333mm		B-Frame trolley								
APLA-5013	ARSR-5013	APA-554TQJ 4hp Air press 3~8 bar Max. Press 700 bar	-Pail trolley		1494	764	1384	712	911	583	71
APLA-5013B	Cap.: 498kN Stroke:334mm		B-Frame trolley								
APLA-10013	ARSR-10013		-Pail trolley								
APLA-10013B	Cap.: 933kN Stroke:333mm		B-Frame trolley								
APLA-15013	ARSR-15013		-Pail trolley								
APLA-15013B	Cap.: 1386kN Stroke:333mm		B-Frame trolley								

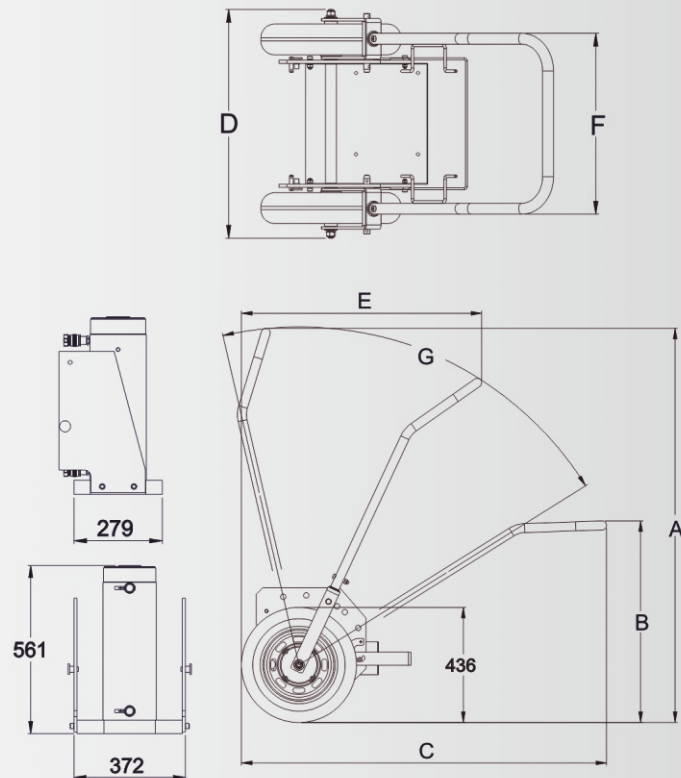
PORTABLE HIGH TONNAGE JACK

APLE/A SERIES

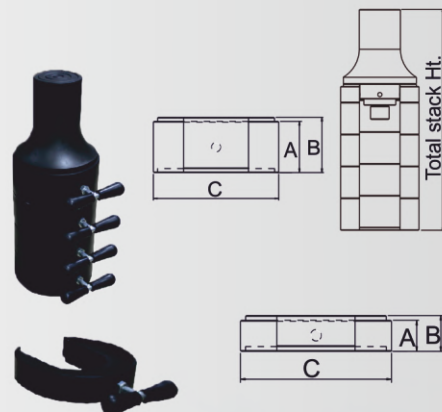
Capacity: 50 - 200 TON
Stroke: 334 mm
700 Bar (10,000 psi)



APLE-ARSR5013



Cribbing Blocks Model No.	Dimensions (mm)			Capacity tons	Jack Module Ext.	Total stack Ht.	Wt.(kg)
	A	B	C				
AKAPLE5013-A01	38.5	44.5	139.7	50	173.0	515.9	16.3
AKAPLE5013-A02	76.5	82.5	139.7				
AKAPLE10013-A01	38.5	44.5	187.3	100	177.8	527.4	30.9
AKAPLE10013-A02	76.5	82.5	187.3				
AKAPLE15013-A01	38.5	44.5	222.2	150	168.3	511.2	38.6
AKAPLE15013-A02	76.5	82.5	222.2				
AKAPLE20013-A01	38.5	44.5	254.2	200	168.3	511.2	38.6
AKAPLE20013-A02	76.5	82.5	254.2				



Jack Module Ext. Model No.	Dimensions (mm)								Wt. (kg)	tons
	A	B	C	D	E	F	G	H		
AKAPLE5013-A03	223.8	173	127	72.5	1"-8UN	79.5	66.8	92.2	9.5	50
AKAPLE10013-A03	228.6	177.8	174.6	95.2	1-3/4"-12UN	76.2	98.4	95.0	18.2	100
AKAPLE15013-A03	219.2	168.4	203.2	114.3	3-3/8"-16UN	-	114.3	88.9	22.7	150

