

## HYDRAULIC CYLINDER PANCAKE JACKS

### APJ SERIES

Capacity: 50 - 1200 TON  
Single Acting, Spherical Saddle  
700 Bar (10,000 psi)



## FEATURES

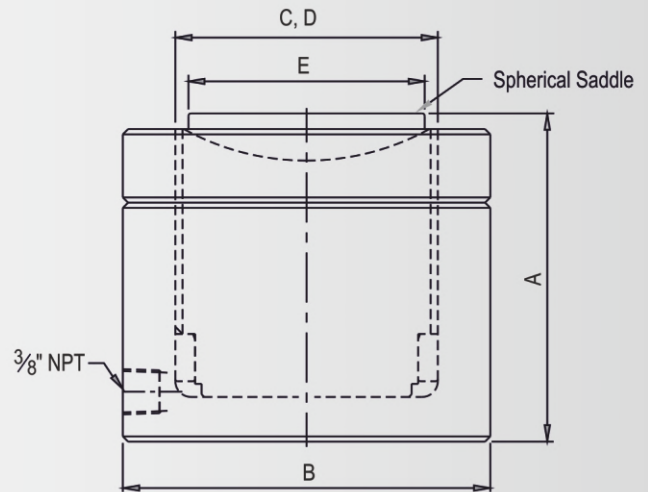
- Used in low clearance confined area.
- Spherical saddle reduces damage to jack against off-center load.
- Threaded ram with locknut facilitates sustained load holding.
- Ideally suited for segment / girder alignment in construction, precision lifting & alignment of heavy structures.
- Ensure no gap between jack & load to be lifted, to utilize full stroke.



Stroke Limiter provided  
Oil will leak from top, without damaging the seal  
Unique design guiding prevents scoring during off-center loading



NO RAM STOPPER  
Don't over stroke  
Stop lifting once  
"Red Band" on ram appears Jack being compact, provide levelled & solid support for entire base area & top.



Model	Rated capacity (ton)	Capacity @ 700 bar (kN)	Stroke (mm)	Effective area (cm <sup>2</sup> )	Oil cap. (cc)	A Coll height (mm)	B Cylinder OD (mm)	C Bore dia. (mm)	D Ram dia. (mm)	E Saddle dia. (mm)	Saddle max. tilt angle	Wt. (Approx.) (kg)
APJ 50-50	50	550	50	78.5	393	125	140	100	100	90	5°	15
APJ 100-50	100	1077	50	153.9	770	140	180	140	140	125	5°	28.5
APJ 150-45	150	1589	45	227.0	1022	150	220	170	170	160	5°	44
APJ 200-45	200	2199	45	314.2	1414	155	255	200	200	180	5°	61
APJ 250-45	250	2661	45	380.1	1710	160	280	220	220	200	5°	76
APJ 300-45	300	3167	45	452.4	2036	170	310	240	240	220	4°	99
APJ 400-45	400	4008	45	572.6	2577	180	350	270	270	250	4°	130
APJ 500-45	500	4948	45	706.9	3181	195	400	300	300	290	3°	185
APJ 800-45	800	7939	45	1134.1	5104	245	505	380	380	340	3°	369
APJ 1000-45	1000	9930	45	1418.6	6384	260	560	425	425	380	3°	477
APJ 1200-45	1200	12405	45	1772.1	7974	280	600	475	475	400	3°	597

• Higher capacity and customized solutions on request. • Specifications are subject to change due to continual improvement.  
• Capacity and Stroke specified are maximum safe limits. As safe practice, use at 80% of rating.