

## HYDRAULIC CYLINDER PANCAKE LOCKING COLLAR

### ACLP SERIES

Capacity: 60-520 TON  
Single Acting, Load-Return  
700 Bar (10,000 psi)

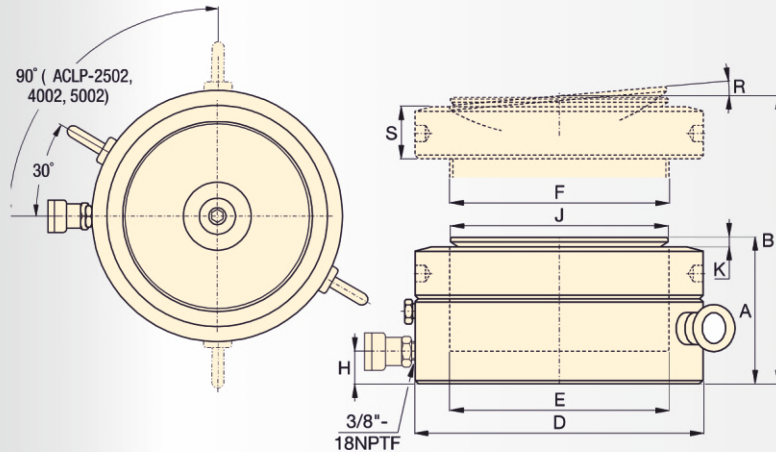
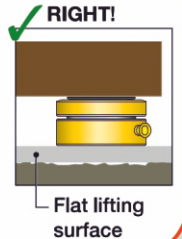


### FEATURES

- Low profile, flat design for use in confined spaces.
- Alloy Steel lock nut for mechanical load holding.
- Tilting saddle standard.
- Overflow port functions as a stroke limiter.
- Rugged, ACR-400 Female couplers with dust covers provided.
- Complies with ASME B30. 1 standards.
- Hardened, chromed and threaded piston reduces wear and corrosion.
- High strength composite bearing provides support for off center loads without damaging the cylinder walls.
- High strength alloy steel body is precision machined to reduce wear and features a baked enamel finish for durability and corrosion protection.



**ALL ACLP-SERIE CYLINDERS REQUIRE A SOLID LIFTING SURFACE FOR CORRECT SUPPORT. THE USE OF PANCAKE CYLINDERS ON SURFACES SUCH AS SAND, MUD OR DIRT, MAY RESULT IN CYLINDER DAMAGE!**



Only the extreme low height ACLP-cylinder fits in this confined area to lift the construction. Needle valve is used to control cylinder speed during lifting and lowering.



Model Number *	Cylinder Capacity	Stroke	Cylinder Effective Area	Oil Capacity	Collapsed Height	Extended Height	Outside Diameter	Cylinder Bore Diameter	Plunger Diameter	Base to Advance Port	Saddle Max. Tilt Angle	Lock Nut Height	kg
	ton	(mm)	(cm <sup>2</sup> )	(cm <sup>3</sup> )	A (mm)	B (mm)	D (mm)	E (mm)	F (mm)	H (mm)	R	S (mm)	
ACLP-602	60	50	86,6	432	125	175	140	105,0	Tr 104 x 4	19	5°	28	15
ACLP-1002	100	50	146,8	734	137	187	175	136,7	Tr 136 x 6	21	5°	31	26
ACLP-1602	160	45	231,3	1040	148	193	220	171,6	Tr 171 x 6	27	5°	40	44
ACLP-2002	200	45	285,6	1285	155	200	245	190,7	Tr 190 x 6	30	5°	43	57
ACLP-2502	260	45	366,8	1650	159	204	275	216,1	Tr 216 x 6	32	5°	44	74
ACLP-4002	400	45	559,5	2517	178	223	350	266,9	Tr 266 x 6	39	4°	55	134
ACLP-5002	520	45	730,6	3287	192	237	400	305,0	Tr 305 x 6	48	3°	62	189