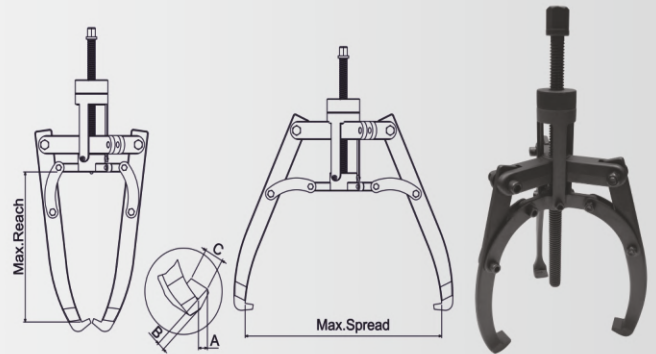


## MECHANICAL EASY PULLERS

### APM SERIES (2/3 WAY)

Capacity: 2-10 Ton

- The most simple and efficient design, the screw-Operated jaws bring the users to position the puller on the part quickly and precisely with one person operating only.
- 3 or 2 fixed jaws for easy positioning and self-centering.
- Available in six sizes with a maximum pulling force from 2 Ton to 10 Ton.
- Self-centering function prevents the damage to the shaft and work piece being pulled.
- Easy operating by one person which save time and work efficiently
- The first 2 or 3 way mechanical puller in the world, also a good choice to save cost by one price for two pullers.



**SIMPLE & EASY PULLING JOB**  
**USER-FRIENDLY**  
**SAFE**  
**SAVING COST**

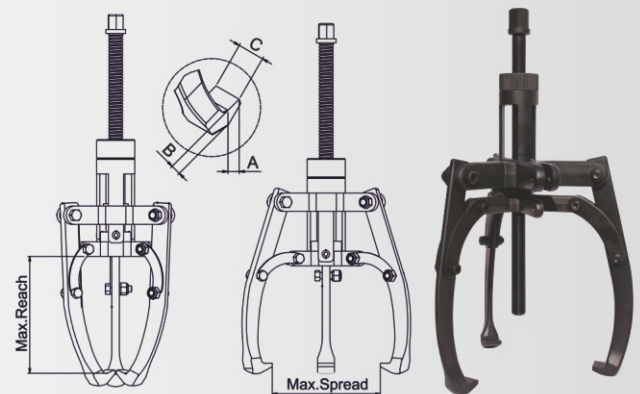
Model No.	Capacity	Jaws	Reach (Max. mm)	Spread (Max. mm)	Shaft Dim.	Jaw Tip (mm)			Weight (kg)
						A	B	C	
APM50	2 Ton	3	80	120	Ø5/8"x8T	8	6	15	1.3
APM52	2 Ton	2	80	120	Ø5/8"x8T	8	6	15	0.9
APM100	5 Ton	3	160	250	Ø3/4"x8T	11	10	25	3.7
APM102	5 Ton	2	160	250	Ø3/4"x8T	11	10	25	3.1
APM150	10 Ton	3	230	380	Ø7/8"x6T	14	10	29	8.8
APM152	10 Ton	2	230	380	Ø7/8"x6T	14	10	29	6.7

## MECHANICAL PULLERS

### APM SERIES (2/3 WAY)

Capacity: 2-12 Ton

- The most simple and efficient design, the screw-Operated jaws bring the users to position the puller on the part quickly and precisely with one person operating only.
- 3 and/or 2 fixed jaws for easy positioning and self-centering.
- Available in six sizes with a maximum pulling force from 2 to 12 Ton.
- Self-centering function prevents the damage to the shaft and work piece being pulled.
- Easy operating by one person which save time and work efficiently
- The first 2 or 3 way mechanical puller in the world, also a good choice to save cost by one price for two pullers.



**SIMPLE & EASY PULLING JOB**  
**USER-FRIENDLY**  
**SAFE**  
**SAVING COST**

Model No.	Capacity	Reach (Max. mm)	Spread (Max. mm)	Shaft Dimension		Jaw Tip (mm)			Weight (kg)
				Thread	Length (mm)	A	B	C	
APM55	2 Ton	80	120	Ø5/8"x11T	24	8	6	15	1.6
APM85	3 Ton	120	140	Ø5/8"x11T	28	6	7	15	2.3
APM105	5 Ton	160	270	Ø3/4"x10T	34	11	10	25	4.3
APM125	8 Ton	210	300	Ø3/4"x10T	39	13	14	27	6.1
APM155	10 Ton	250	380	Ø7/8"x14T	47	14	10	29	9.6
APM175	12 Ton	250	440	Ø7/8"x14T	47	14	10	29	11.2