

## HYDRAULIC CYLINDER LOW PROFILE

### ARSM / ARCS SERIES

Capacity: 5-150 TON  
Single Acting, Spring-return  
700 Bar (10,000 psi)



### FEATURES

- Low profile, flat design for use in confined spaces.
- High strength alloy steel construction for increased durability.
- Hardened and chromed piston reduces wear and corrosion.
- Grooved piston end requires no saddle.
- Heavy duty, straight pull, return spring provides quick retraction time.
- Mounting holes permit easy fixturing.
- Environmentally friendly coating process provides a durable anti-corrosion finish.
- Rugged ACR-400 Female coupler with dust cover provided\*.
- Complies with ASME B30.1 standards.



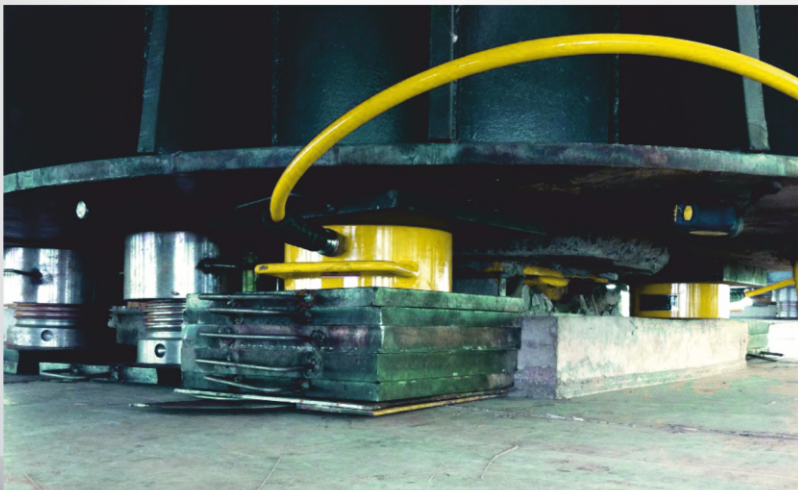
### ACCESSORIES



Pressure Gauge Available to monitor system pressure See Gauges Page.



High Pressure Hydraulic Hoses see Hoses Page.



Model Number	Cyl. Capacity	Stroke	Cylinder Effective Area	Oil Capacity
	ton	(mm)	(cm <sup>2</sup> )	(cm <sup>3</sup> )
ARSM-50 <sup>1</sup>	5	6	6,5	4
ARSM-100	10	11	14,5	18
ARSM-200	20	11	28,7	32
ARSM-300	30	13	42,1	55
ARSM-500	50	16	62,1	99
ARSM-750	75	16	102,6	164
ARSM-1000	100	16	126,7	203
ARSM-1500	150	16	198,1	317
ARCS-101*	10	38	14,5	55
ARCS-201*	20	45	28,7	129
ARCS-302*	30	62	42,1	261
ARCS-502*	50	60	62,1	373
ARCS-1002*	100	57	126,7	722

<sup>1</sup>ARSM-50 is fitted with an AR-400 coupler.

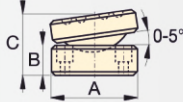
\* Available as set, see note on next page.

## HYDRAULIC CYLINDER LOW PROFILE

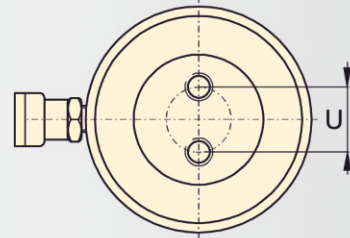
### ARSM / ARCS SERIES

Capacity: 5-150 TON  
Single Acting, Spring-return  
700 Bar (10,000 psi)

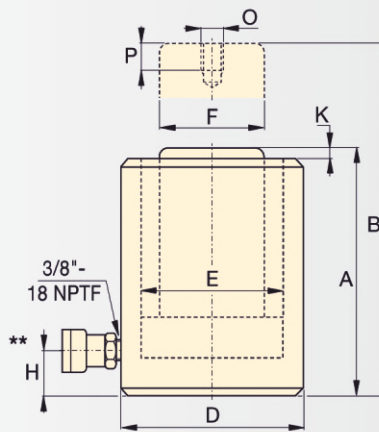
Optional Bolt On Tilt Saddle Dimensions (mm)				
For Cylinder Model:	Model Number	A	B	C*
ARCS-101	CAT-11	35	11	21
ARCS-201, -302, -502	CAT-51	50	15	29
ARCS-1002	CAT-101	71	17	35



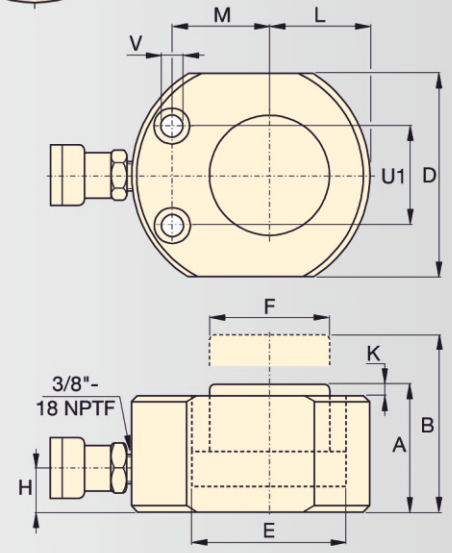
\* 'C' dimension equals saddle protrusion from plunger. Mounting screws are included.



ARSM Cylinder Mounting Hole Dimensions (mm)				
Model Number	Bolt Circle U1	Hole Dia. V	Counter Bore Dia.	Counter Bore Depth
ARSM-50	28,5	5,5	9,1	4,3
ARSM-100	36,6	7,1	10,7	7,9
ARSM-200	49,3	10,0	15,1	9,9
ARSM-300	52,3	10,0	15,9	11,2
ARSM-500	66,5	11,0	19,0	12,7
ARSM-750	76,2	13,5	20,6	14,2
ARSM-1000	76,2	13,5	20,6	14,2
ARSM-1500	117,3	13,5	20,6	14,2



ARCS-Series



ARSM-Series

Collapsed Height	Extended Height	Outside Diameter	Cylinder Bore Dia.	Plunger Dia.	Base to Advance Port	Plunger Protrusion from Base	Plunger to Base	Plunger to Mtg. Hole	Thread	Thread Depth	Bolt Circle		Model Number
A	B	D	E	F	H	K	L	M	O	P	U	(kg)	
(mm)	(mm)	(mm)	(mm)	(mm)	(mm)	(mm)	(mm)	(mm)	(mm)	(mm)	(mm)		
32	38	58 x 41	28,7	25,4	16	1	20	22	-	-	-	1,0	ARSM-50 <sup>1)</sup>
43	54	82 x 55	42,9	38,1	19	1	27	34	-	-	-	1,4	ARSM-100
51	62	101 x 76	60,5	50,8	19	1	39	39	-	-	-	3,1	ARSM-200
58	71	117 x 95	73,2	63,4	19	2	47	44	-	-	-	4,5	ARSM-300
66	82	140 x 114	88,9	69,8	19	2	57	53	-	-	-	6,8	ARSM-500
79	95	165 x 139	114,3	82,6	19	2	69	66	-	-	-	11,3	ARSM-750
85	101	178 x 153	127,0	92,2	19	2	76	74	-	-	-	14,5	ARSM-1000
100	116	215 x 190	158,8	114,3	23	2	95	82	-	-	-	26,3	ARSM-1500
88	126	69	42,9	38,1	17	5	-	-	M4	8	26	2,7	ARCS-101*
98	143	92	60,5	50,8	17	3	-	-	M5	8	40	5,0	ARCS-201*
117	179	101	73,2	66,5	19	3	-	-	M5	8	40	6,8	ARCS-302*
122	182	124	88,9	69,8	23	2	-	-	M5	8	40	10,0	ARCS-502*
141	198	165	127,0	92,2	31	1	-	-	M8	10	55	20,7	ARCS-1002*

\*\* 5° angle position of coupler on ARCS-101, 201, 302.