

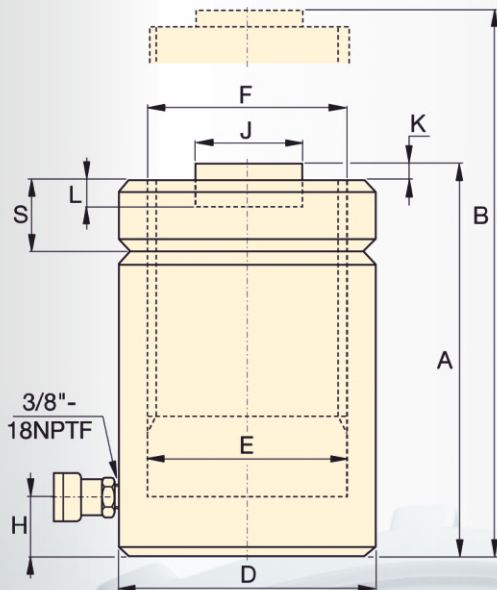
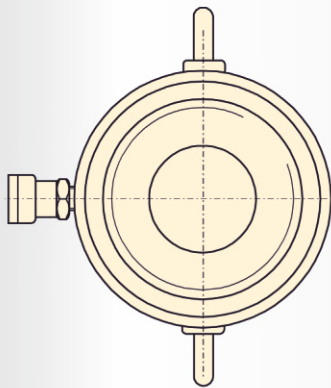
## HYDRAULIC CYLINDER LOCK NUT CYLINDERS

### ALL SERIES

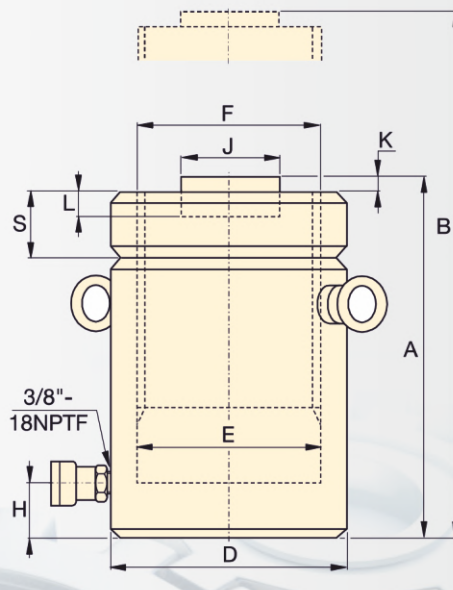
Capacity: 50-1000 TON  
Single Acting, Load Return  
700 Bar (10,000 psi)

### FEATURES

- Single-acting, load return.
- Safety Lock Nut for mechanical load holding.
- Special synthetic coating for improved corrosion resistance and lower friction for smoother operation.
- Overflow port functions as a stroke limiter.
- Inter changeable, hardened grooved saddles are standard.
- ACR-400 coupler and dust cap included on all models.

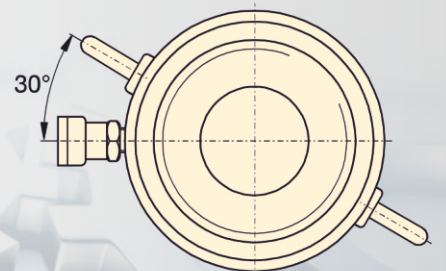
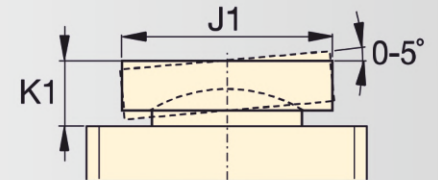


ALL-502 - ALL-25012



ALL-3002 - ALL-100012

### Optional Tilt Saddle \*





### Saddles

All ALL cylinders are equipped with bolt-on removable grooved saddles.



## To Secure Loads Mechanically

For full features see previous page.

Model Number	Cylinder Capacity ton	Stroke (mm)	Cylinder Effective Area (cm <sup>2</sup> )	Oil Capacity (cm <sup>3</sup> )	Coll. Height		Outs. Dia. D (mm)	Cyl. Bore Dia. E (mm)	Plunger Dia. (threaded) F (mm)	Base to Adv. Port H (mm)	Lock-nut Height S (mm)	⚖️ (kg)	* Optional Tilt Saddle		
					A (mm)	B (mm)							Saddle Dia. J1 (mm)	Saddle Height K1 (mm)	Saddle Model Number
ALL-502	50	50	70,9	355	164	214	125	95,0	Tr 95 x 4	30	36	15	71	24	AT-100
ALL-504		100	70,9	709	214	314	125	95,0	Tr 95 x 4	30	36	20	71	24	AT-100
ALL-506		150	70,9	1064	264	414	125	95,0	Tr 95 x 4	30	36	25	71	24	AT-100
ALL-508		200	70,9	1418	314	514	125	95,0	Tr 95 x 4	30	36	30	71	24	AT-100
ALL-5010		250	70,9	1773	364	614	125	95,0	Tr 95 x 4	30	36	35	71	24	AT-100
ALL-5012		300	70,9	2127	414	714	125	95,0	Tr 95 x 4	30	36	40	71	24	AT-100
ALL-1002	100	50	132,7	664	187	237	165	130,0	Tr 130 x 6	30	44	30	71	24	AT-100
ALL-1004		100	132,7	1327	237	337	165	130,0	Tr 130 x 6	30	44	39	71	24	AT-100
ALL-1006		150	132,7	1991	287	437	165	130,0	Tr 130 x 6	30	44	48	71	24	AT-100
ALL-1008		200	132,7	2654	337	537	165	130,0	Tr 130 x 6	30	44	56	71	24	AT-100
ALL-10010		250	132,7	3318	387	637	165	130,0	Tr 130 x 6	30	44	64	71	24	AT-100
ALL-10012		300	132,7	3981	437	737	165	130,0	Tr 130 x 6	30	44	73	71	24	AT-100
ALL-1502	150	50	198,6	993	209	259	205	159,0	Tr 159 x 6	39	44	53	130	20	AT-200
ALL-1504		100	198,6	1986	259	359	205	159,0	Tr 159 x 6	39	44	66	130	20	AT-200
ALL-1506		150	198,6	2979	309	459	205	159,0	Tr 159 x 6	39	44	78	130	20	AT-200
ALL-1508		200	198,6	3972	359	559	205	159,0	Tr 159 x 6	39	44	92	130	20	AT-200
ALL-15010		250	198,6	4965	409	659	205	159,0	Tr 159 x 6	39	44	104	130	20	AT-200
ALL-15012		300	198,6	5958	459	759	205	159,0	Tr 159 x 6	39	44	117	130	20	AT-200
ALL-2002	200	50	265,6	1330	243	293	235	184,0	Tr 184 x 6	50	50	83	130	20	AT-200
ALL-2006		150	265,6	3989	343	493	235	184,0	Tr 184 x 6	50	50	117	130	20	AT-200
ALL-20012		300	265,6	7995	493	793	235	184,0	Tr 184 x 6	50	50	170	130	20	AT-200
ALL-2502	250	50	366,1	1832	249	299	275	216,0	Tr 216 x 6	50	56	116	150	21	AT-250
ALL-2506		150	366,1	5496	349	499	275	216,0	Tr 216 x 6	50	56	162	150	21	AT-250
ALL-25012		300	366,1	10995	499	799	275	216,0	Tr 216 x 6	50	56	234	150	21	AT-250
ALL-3002	300	50	456,2	2281	295	345	310	241,0	Tr 241 x 6	59	60	173	195	75	AT-300
ALL-3006		150	456,2	6843	395	545	310	241,0	Tr 241 x 6	59	60	233	195	75	AT-300
ALL-30012		300	456,2	13740	545	845	310	241,0	Tr 241 x 6	59	60	323	195	75	AT-300
ALL-4002	400	50	559,9	2800	335	385	350	267,0	Tr 266 x 6	70	70	250	225	85	AT-400
ALL-4006		150	559,9	8399	435	585	350	267,0	Tr 266 x 6	70	70	327	225	85	AT-400
ALL-40012		300	559,9	16800	585	885	350	267,0	Tr 266 x 6	70	70	441	225	85	AT-400
ALL-5002	500	50	731,1	3653	375	425	400	305,0	Tr 305 x 6	80	80	367	250	91	AT-500
ALL-5006		150	731,1	10959	475	625	400	305,0	Tr 305 x 6	80	80	466	250	91	AT-500
ALL-50012		300	731,1	21930	625	925	400	305,0	Tr 305 x 6	80	80	617	250	91	AT-500
ALL-6002	600	50	854,8	4277	395	445	430	330,0	Tr 330 x 6	85	85	446	275	96	AT-600
ALL-6006		150	854,8	12830	495	645	430	330,0	Tr 330 x 6	85	85	562	275	96	AT-600
ALL-60012		300	854,8	25650	645	945	430	330,0	Tr 330 x 6	85	85	737	275	96	AT-600
ALL-8002	800	50	1176,9	5882	455	505	505	387,0	Tr 387 x 6	100	100	709	320	123	AT-800
ALL-8006		150	1176,9	17645	555	705	505	387,0	Tr 387 x 6	100	100	870	320	123	AT-800
ALL-80012		300	1176,9	35370	705	1005	505	387,0	Tr 387 x 6	100	100	1110	320	123	AT-800
ALL-10002	1000	50	1466,4	7329	495	545	560	432,0	Tr 432 x 6	110	110	949	360	136	AT-1000
ALL-10006		150	1466,4	21986	595	745	560	432,0	Tr 432 x 6	110	110	1141	360	136	AT-1000
ALL-100012		300	1466,4	43980	745	1045	560	432,0	Tr 432 x 6	110	110	1430	360	136	AT-1000