

HYDRAULIC UNIVERSAL PULLERS

APH SERIES

FEATURES

- The puller is self-centering, easy to manoeuvre and adjustable in height.
- The arms slide inwards or outwards simultaneously.
- The complete stroke is 250 mm. 3 adapters (extensions) included.
- The harder the force, the tighter the jaws grip.
- The arms cannot bend or deflect. The integral safety release valve prevents overloading and ensures that you will never exceed the maximum power capacity.
- Prevents damage to shaft and object being pulled.
- One person can do the job Efficient and saves time.
- Including 3 adapters & remote control.



**Practical
Flexible
Strong
Safe
Advantages**

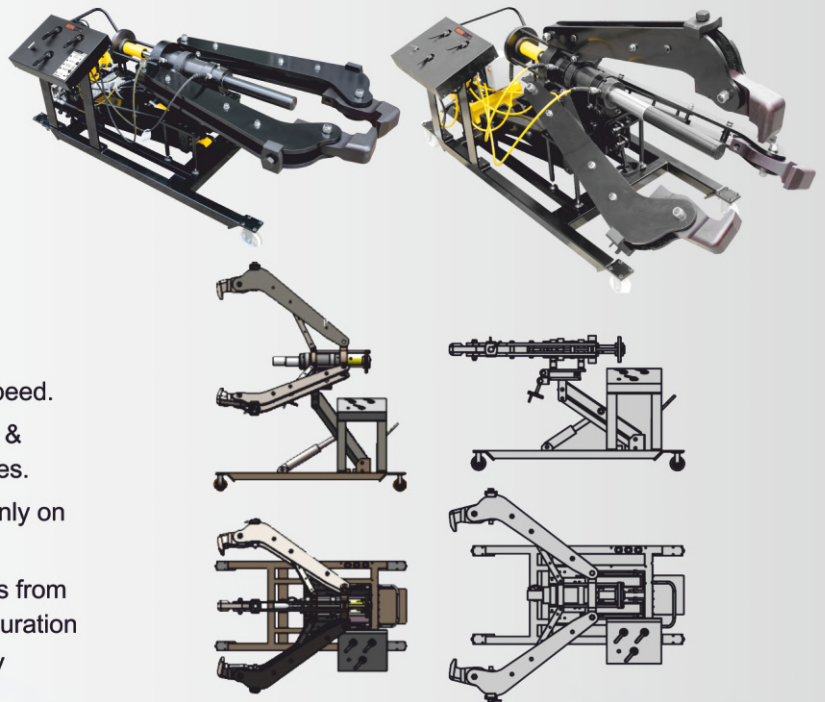
Model	Capacity	Stroke	Min Spread	Max Spread	Min Reach	Max Reach	Motor Voltage (V/HZ)	Center Adjustment Height		Pressure Gauge display (bar)	Total length (mm)	Weight (Kg)
	(Ton)	(mm)	(mm)	(mm)	(mm)	(mm)		Min (mm)	Max (mm)			
APH 1002	100	250	381	1219	860	1060	220/50 380/50	305	915	700	3015	550

SELF-CENTERING HYDRAULIC UNIVERSAL PULLERS

APSC SERIES

FEATURES

- Hydraulic lifting system.
- Flow metering system provides constant lowering speed.
- Double acting hydraulic system for holding, opening & closing jaws provides safe and secure grip at all times.
- Self Centring design keeps puller jaws clamped evenly on the work piece.
- Easy jaw head adjusting system prevents puller jaws from sliding. Puller can be assembled in 2 or 3 jaw configuration
- Castors provide easy cart movement. Includes 230V electric pump.



Model	Jaw	Capacity	Stroke	Min Spread	Max Spread	Min Reach	Max Reach	Min Center Height	Max Center Height	Weight (Ton)
		(Ton)	(mm)	(mm)	(mm)	(mm)	(mm)	(mm)	(mm)	
APSC-1002	2Jaw	100	300	150	1535	880	1035	855	1490	1.1
APSC-1003	3Jaw	100	300	150	1535	880	1035	855	1490	1.4
APSC-2002	2Jaw	200	300	140	1580	803	955	855	1490	1.25
APSC-2003	3Jaw	200	300	140	1580	803	955	855	1490	1.6

* Contact Aeroboom for more details of the pullers.