



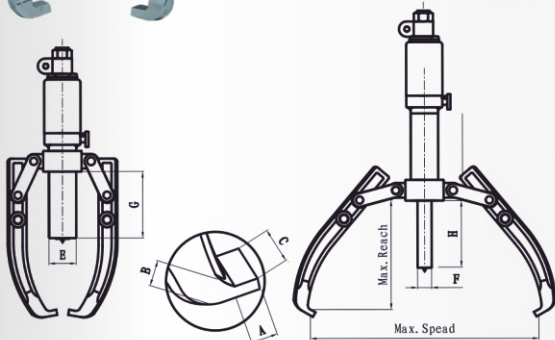
MECHANICAL / HYDRAULIC SELF - CENTERING PULLERS

AMPL SERIES
Capacity: 7- 60 Tons

FEATURES

- Three claw slinkage, automatically locate centerline, easy to use.
- It is made of high-strength alloy steel to be durable.
- It has types: mechanics and hydraulic, tonnage ranges from 7 ton to 60 ton.

Model	Type	Capacity	Maximum Reach	Spread Range	Hand Pump model	Cylinder model	Weight
		Ton	A(mm)	B(mm)			(kg)
AMPL-7	Mechanical	7	225	60-280	-	-	4.5
AMPL-10		10	385	60-430			10.5
AMPL-20		17	480	60-500			25.5
AMPL-30		30	585	60-600			35.8
AHPL-10	Hydraulic	10	296	60-430	P-109	ARCH-1211	8.9
AHPL-20		20	340	60-500	P-109	ARCH-202	18.25
AHPL-30		30	420	60-600	P-109	ARCH-302	36.4
AHPL-60		60	727	60-920	P-123	ARCH-603	86.5



HYDRAULIC PULLERS & HAND PUMP SETS

AIBH SERIES
Capacity: 5 - 50 Tons

FEATURES

- Use with 2 or 3 jaws. High quality, forged steel jaws and crosshead provide superior reliability and service.
- Precise hydraulic control allows fast, efficient and safe pulling.
- High force hydraulic system for effortless pulling of large components.
- More efficient pulling, as one man can do the job where manual pullers often require two operators. Spring loaded live centering cone.

Model	Output Ton	Spread (mm)	Max Reach (mm)	Stroke (mm)	Dimensions (mm)						Pump Model	Weight (Kg)	Packing Size (mm)
					A	B	C	E	F	G			
AIBH-5F	5	200	140	50	12.5	22.5	26	45	23	106	P-109	10.2	48x26x13
AIBH-10F	10	250	170	60	14	30	30	56	26	97	P-109	12.9	48x26x13
AIBH-20F	20	350	205	70	21	33.5	33	78	33	105	P-109	15.7	48x20x18
AIBH-30F	30	400	220	70	26	36	35	90	38	103	P-109	33	52x25x22
AIBH-50F	50	500	250	60	25	46	40	114	48	117	P-109	37.8	52x25x22