

## HYDRAULIC OIL / ACCESSORIES



F01

### Hydraulic Oil

ISO 46

- Recommended for all Aeroboom cylinders and pumps.

Hydraulic Oil  
Coupler Dust Cover,  
Solenoid Valve

Volume (gal)	Model Number	Viscosity Index (min)	Viscosity @ 100°F (S.U.S.)	Viscosity @ 210°F (S.U.S.)	ASTM Grade	Flash Point (°F)	Pour Point (°F)	API Gravity
1	F01	144	234	53	215	356	-49	30.8
55	F05	144	234	53	215	356	-49	30.8



CDC38

### Coupler Dust Cover

- Keeps contaminants out of the system

Model Number	Coupler Compatibility
CDC38	CH38, CH38F, CH38M

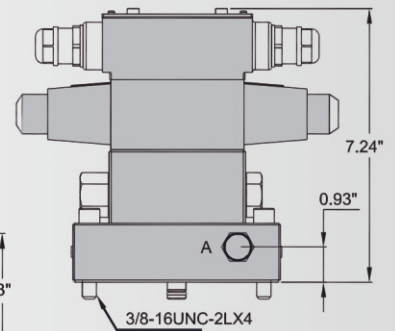
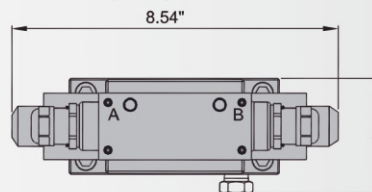


PS33L

### Solenoid Valves

Pump Mounted

- Pump mounted solenoid kits converts your manual pump to an electrically controlled pump.



Use With Cylinder	Model Number	Valve Type	Valve Function	Hydraulic Symbol	Schematic Flow path			Weight (lbs)
Single Acting	PS33L	Solenoid 115VAC	Advance/ Hold/Return					7.0
Single Acting	PD33	Solenoid 115VAC	Advance/Return				-	6.0
Double Acting	PS43L	Solenoid 115VAC	Advance/ Hold/Return					7.0