

## HYDRAULIC INBUILT PULLERS

### CK SERIES

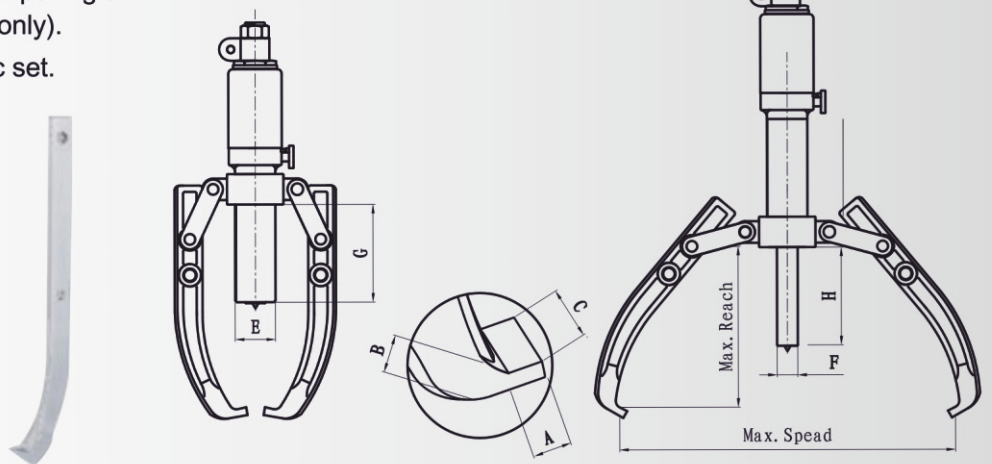
Use with 2 & 3 Jaw Pullers  
Capacity: 4 - 30 Ton

### FEATURES

- Comes with 2/3 jaws combination puller head. Broad capacity range of 4,6,8, and 15 tons.
- Integrated safety valve for overload protection. Spring loaded hydraulic cylinder rod. Removable and 360° rotary pump handle. High quality, heat treated forged allow steel components provide superior reliability and service.
- Have been vigorously tested for top performance and perfection.
- Light weight and compact design. Comes with fast adjusting nut for rapid adjustment.
- Supplied with sturdy storage case. The perfect shape and structure for puller jaws.
- Comes with 2/3 jaws combination puller head. Broad capacity range of 10,12,20,25 and 30 tons.
- Integrated safety valve for overload protection.
- High quality, heat treated forged alloy steel components provide superior reliability and service.
- Extra long jaws for added capability of pulling a wider variety of parts (some models only).
- Available with or without full hydraulic set.



- Part No. AC0948 for Ck4
- Part No. AC0946 for Ck6
- Part No. AC0950 for Ck8
- Part No. AC0951 for Ck12
- Part No. AC0960 for Ck20
- Part No. AC0961 for Ck30



Model Number	Capacity (Ton)	Stroke H (mm)	Reach (mm)	Spread (mm)	Jaw Tip (mm)			PumpTip (mm)			Weight (kg)
					A	B	C	E	F	G	
CK-4	4	60	185	255	11	6	22	42	22	84	4.5
CK-5	5	70	220	330	12	10	22	45	23	94	5.5
CK-6	6	70	220	330	12	10	22	45	23	94	5.8
CK-8	8	85	230	350	13	10	25	50	25	118	7.4
CK-10	10	85	270	375	14	10	29	60	28	122	7.8
CK-12	12	85	270	375	14	10	29	60	28	122	8.0
CK-15	15	85	270	375	25	10	29	60	28	122	9.5
CK-20	20	111	360	520	20	27	33	80	40	160	22
CK-30	30	111	360	550	20	27	38	98	50	155	32