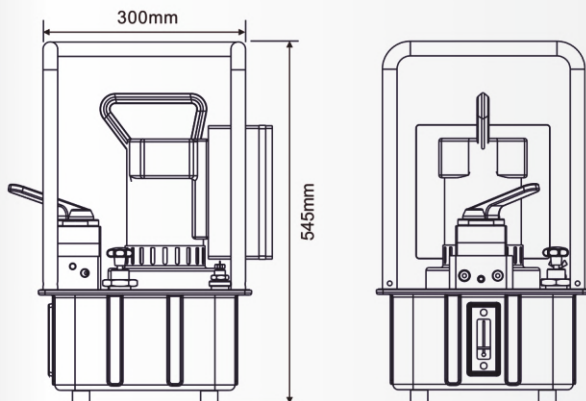


FEATURES

- External adjustable pressure regulator.
- APE-554TQ series: just use with Hydraulic Torque Wrench.
- APE-554TQJ series: just use with Hydraulic lift applications.
- 3M(10 ft) remote motor control.
- Stainless frame easy to carry.



APE-554TQJ

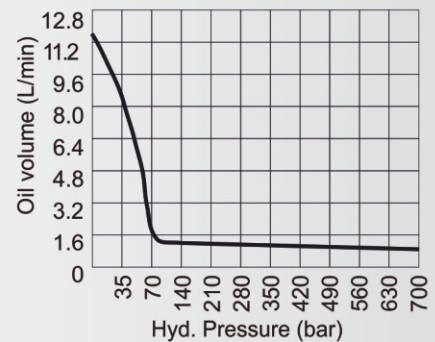


HYDRAULIC ELECTRIC PUMP

APE-554 SERIES

Reservoir Cap: 8-20L
 Flow at rated pressure: 11.3-0.9 L
 Motor Size: 0.84kW (1-1/8 hp)
 Max Operating Pressure: 700 bar

APE-554 Pressure vs volume



Custom build your Electric Pump:

APE-554TQJ 1 5 1 8 4 WO

0.Type

TQ= just use in Torque Wrench
 TQJ= using in lift applications

1.Voltage

1=115V
 2=230V

2.Hz

5=50Hz / 60Hz

3.Phase

1=1ph

4.Reservoir (Lx0.26=gal)

8=8L(2.1gal)
 20=20L(5.2gal)

★User can order suitable reservoir.

5. Valve (just use in TQJ series)

3=Manual 3Way
 4=Manual 4Way
 7=Check Solenoid 3Way
 8=Check Solenoid 4Way

6.Optional

W=Castor wheel
 O=Cool system
 G=Pressure Gauge

Model Number	Rpm	dBA at Idle and 700bar	Motor kW (hp)	Amp at 700bar (A)	Flow rate @230VAC(L/min)				Oil tank (L)	Usable oil (L)	Weight (with oil) (kg)
					0 (bar)	30 (bar)	350 (bar)	700 (bar)			
APE-554	12000	80	0.84 (1-1/8)	25 /110V	11.3	7.2	1.2	0.95	8	7	32
				10.7 /230V							