

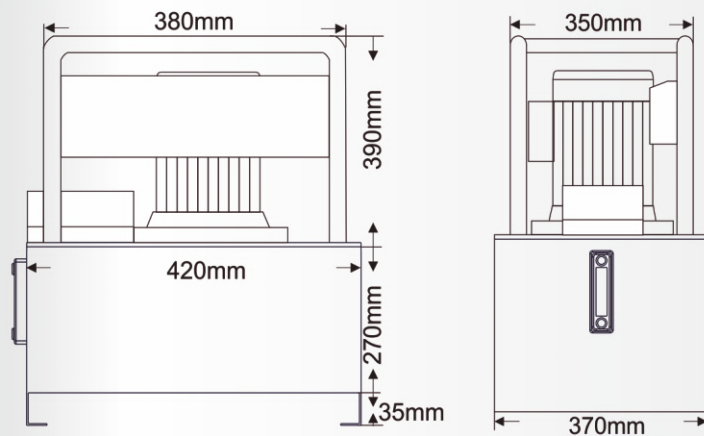
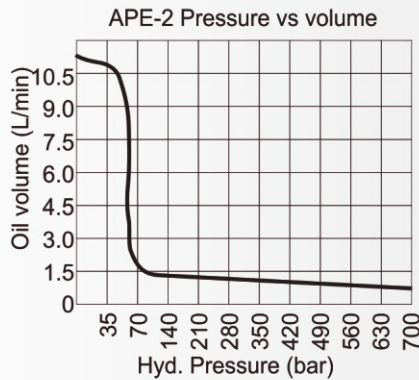
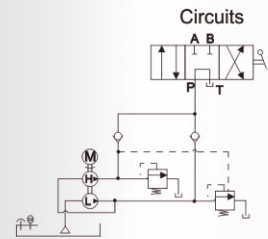
HYDRAULIC ELECTRIC PUMP

APE-2 SERIES

Reservoir Cap: 20-60L
 Flow at rated pressure: 10.5-1 L
 Motor Size: 1.5kW (2 hp)
 Max Operating Pressure: 700 bar

FEATURES

- Two stage models for reduced cycle times and improved productivity.
- Easy to customize with modular accessory kits.
- User adjustable external relief valve with a factory set upper limit prevents system overload.
- Easy to read integrated oil level sight glass.
- Totally enclosed fan-cooled motors are ideal for outdoor use in many environments.



Custom build your Electric Pump:

APE- 2 2 6 3 20 3 CW

1 2 3 4 5 6 7

1. Motor 2=2Hp(1.5kW)	5. Reservoir (Lx0.26=gal) 20=20L(5.2gal) 40=40L(10.5gal) 60=60L(15.8gal) ★ User can order suitable reservoir.
2. Voltage 2=230V 3=380V	6. Valve 3=Manual 3Way 4=Manual 4Way 5=Solenoid 3way 6=Solenoid 4Way
3. Hz 5=50Hz 6=60Hz	7. Optional C=Remote control W=Wheel G=Pressure gauge
4. Phase 1=1ph 3=3ph	7=Check Solenoid 3Way 8=Check Solenoid 4Way

	Used with cylinder		Valve Function		
BASIC PUMP VALVE					
Manual 3 way Valve	•		•	•	•
Manual 4 way Valve		•	•	•	•

Model Number	Motor kW (hp)	Operation	Pressure Rating (bar)		Flow Rate (L/min)		Rpm	dBA at Idle and 700bar	Weight (20L no oil) (kg)
			1 st stage	2 nd stage	1 st stage	2 nd stage			
APE-2	1.5 (2)	Two-stage	55	700	10.5	1	1725	70-79	55.5

Product weight and reservoir high will be changed by different reservoir.
 Catalog sample is 20L no oil reservoir.