

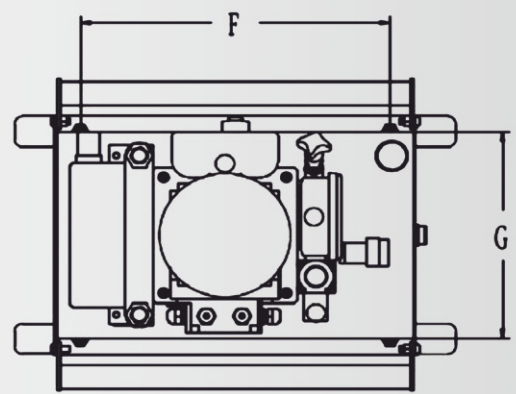
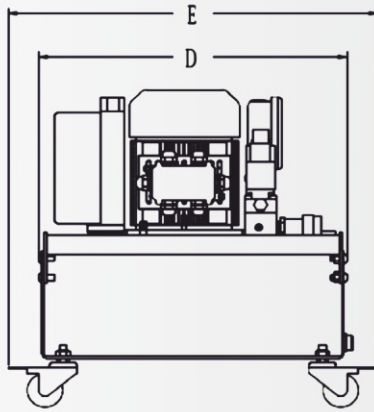
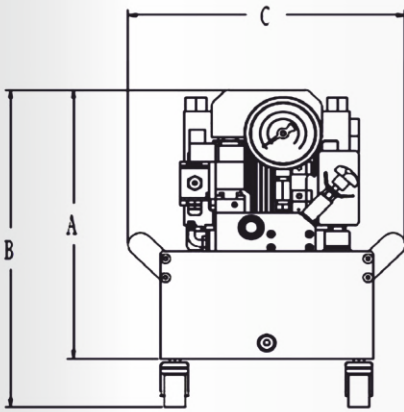
## ELECTRIC PUMPS

### ABHE SERIES

Oil Capacity: 10-40L  
 Rated Flow: 0.8-1.5L/Min  
 Rated Pressure: 700 Bar  
 Motor Power: 1.1-2.2 Kw

### FEATURES

- Brushless Motor, Low Maintenance.
- Two Stage Pump, more efficient.
- Integrated design of motor and pump unit.
- 75dB low noise.
- Inside safety valve, outside adjustable relief valve.



Model	Voltage	Power	Flow Rate 1 <sup>st</sup> Stage	Flow Rate 2 <sup>nd</sup> Stage	Oil Reservoir				Optional Attachments			
		KW	L/Min	L/Min	10L	20L	40L	80L	Wheel	Frame	Cooler	Remote Handle
ABHE-4	220VAC	1.1	7	0.8	●	●	●	●	●	●	●	●
ABHE-5	380VAC	1.5	9	1	●	●	●	●	●	●	●	●
ABHE-6	380VAC	2.2	13	1.5		●	●	●	●	●	●	●

Model	Oil Reservoir	Height	Height	Width	Width	Width	Mount Hole Dist.	Mount Hole Dist.	Mount Hole Diam.
	L	A	B	C	D	E	F	G	
ABHE-4	10	403	476	392	435	522	366	260	10.5
	20	425	498	512	435	522	366	380	10.5
	40	512	585	592	435	522	366	460	10.5
ABHE-5	10	431	504	392	435	522	366	260	10.5
	20	453	526	512	435	522	366	380	10.5
	40	540	613	592	435	522	366	460	10.5
ABHE-6	20	453	526	512	435	522	366	380	10.5
	40	540	613	592	435	522	366	460	10.5

Capacity : 56-207T  
 Max. Pressure : 1500 Bar  
 Load Return

## ELECTRIC PUMPS



### Button Box

High protection button box, optional for pump mounted/long distance control mounted, safe and reliable



### Cooling Fan

Optional cooling Fan for continuous working



### Lockable Wheel

Optional lockable wheel, easy for moving.



### Protection Frame

Optional protection frame for Pump

Model	Oil Reservoir	Control Valve	Wheel	Cooler	Frame	Remote Handle
ABHE-4	010	<ul style="list-style-type: none"> <li>• MV33</li> <li>• MV43</li> <li>• VE32</li> <li>• VE43</li> <li>• VEL43</li> </ul>	<ul style="list-style-type: none"> <li>• W (Y)</li> <li>• Blank (N)</li> </ul>	<ul style="list-style-type: none"> <li>• F (Y)</li> <li>• Blank (Handle)</li> </ul>	<ul style="list-style-type: none"> <li>• L (Y)</li> <li>• Blank (N)</li> </ul>	<ul style="list-style-type: none"> <li>• R (Remote)</li> <li>• Blank (Pump Mounted)</li> </ul>
	020					
	040					
ABHE-5	010					
	020					
	040					
ABHE-6	010					
	020					
	040					

Model	Valve Type	Diagram	Flow Rate L/Min	Thread	Picture
CV03	Check Valve		50	NPT3/8	
FV02/FV03	Check Valve		10-50	M16*1.5	
FVL02	Throttle Valve		50	NPT3/8	
PCV01	Check Valve		50	NPT3/8	
PCV02	Check Valve		30	M6	
FCV02	Check Valve		30	NPT3/8	
PRV700	Relief Valve		30	NPT3/8	
FV41	Check Valve		50	NPT3/8	
FV42	Check Valve		50	NPT3/8	