

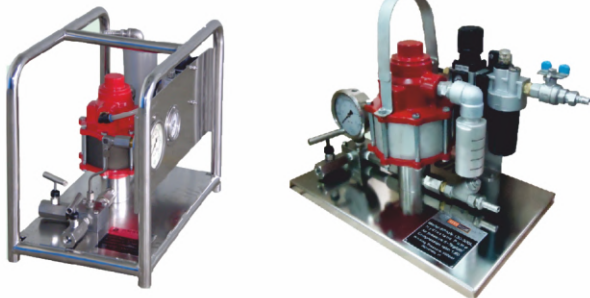
FEATURES

- Air units (F.R.L. Unit) provide filter regulator and lubricate.
- Input water filter which protect.
- Steel base.
- Liquid can be oil or water.

HYDRAULIC AIR PUMP APAW SERIES

APAW

Hydrostatic Pump



Steel frame

Standard type

APAQ

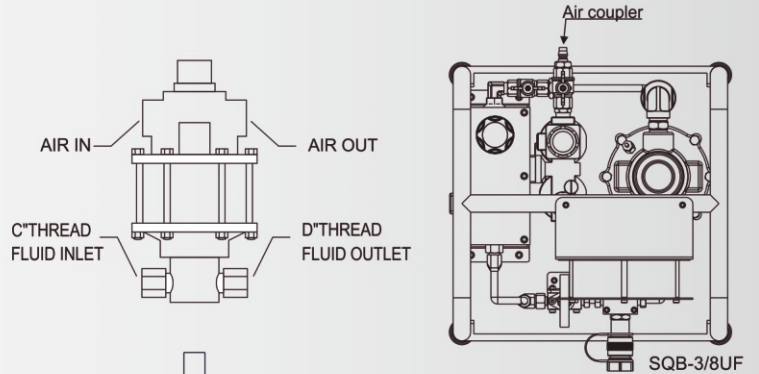
Frame Air Pump



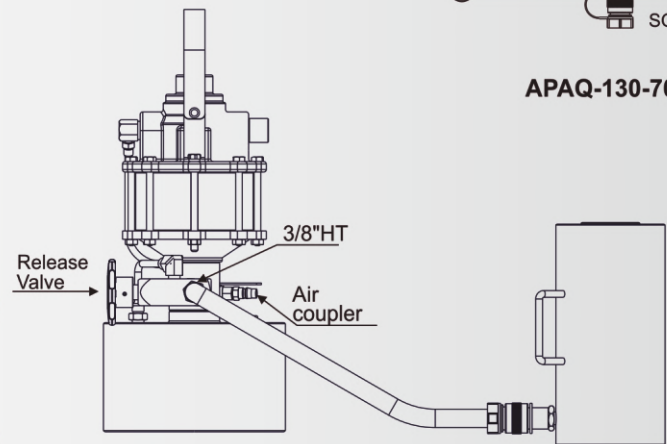
Steel base and frame.
Easy to carry.

APAT

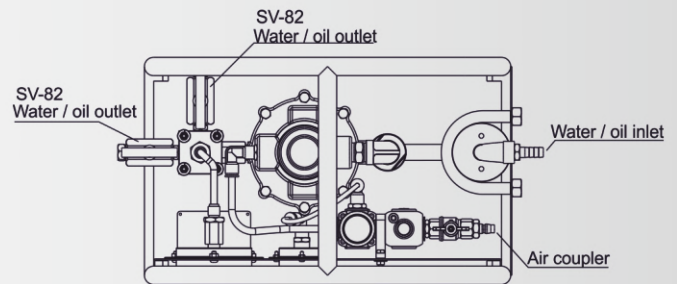
Portable Air Pump



APAQ-130-700



APAT-130-700



APAW-130-300F

APAW-130-700F

Model Number	Description	Compress Ratio	Output oil (cm ³ /per stroke)	Work press. (bar)	Air press. (kgf/cm ²)	Equipped reservoir (c.c)	Weight (kg)	Dimensions		
								C	D	(mm)
APAT-130-700	Portable	1:150	3.1	700	5~7	2000	17.7	—	1/2"PT-14	∅220x420L
APAT-130-700-4K	Portable	1:150	2.5	700	5~7	4000	12	—	1/2"PT-14	∅220x530L
APAQ-130-700F	Steel Frame	1:150	2.5	700	5~7	5600	25	1/4PT-19	9/16-18UNF	400*400*420
APAQ-180-700F	Steel Frame	1:117	12.5	700	5~7	5600	28	1/4PT-19	9/16-18UNF	500*500*520
APAW-130-300L	Standard type	1:60	6.4	300	5~7	—	15.7	1/4PT-19	9/16-18UNF	650*300*300
APAW-130-300F	Steel Frame	1:60	6.4	300	5~7	—	18.0	1/4PT-19	9/16-18UNF	500*300*420
APAW-130-700F	Steel Frame	1:150	2.5	700	5~7	—	18.0	1/4PT-19	9/16-18UNF	