

## HYDRAULIC AIR PUMP

### APA SERIES

Motor : 4Hp

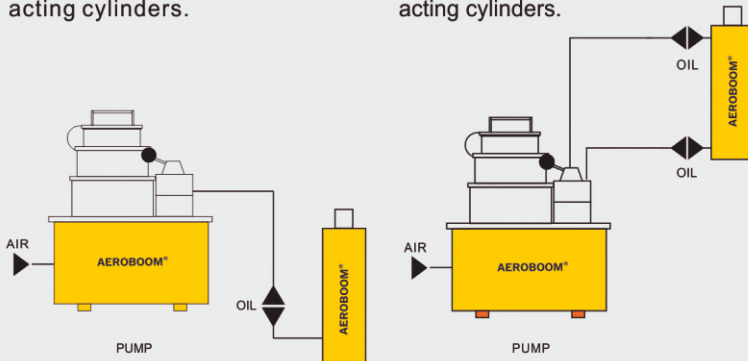
### FEATURES

- 2-speed pump drives single -or double-acting cylinders, delivering a high volume of oil .
- Air is the preferred source of power which supply require 3~8bar.
- Max. Pressure 700bar.
- External adjustable pressure regulator.
- Powerful 4 hp motor starts under load.
- Retract side internal relief valve protects tool.
- Just use with Hydraulic lift applications.
- Stainless frame easy to carry.



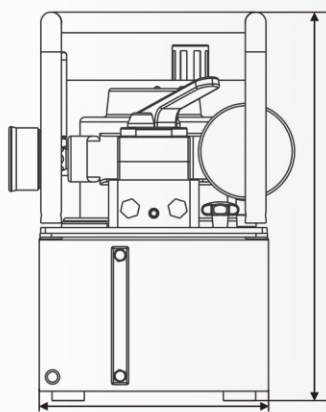
Typical Set-up  
Hook-up for single-  
acting cylinders.

Typical Set-up  
Hook-up for double-  
acting cylinders.



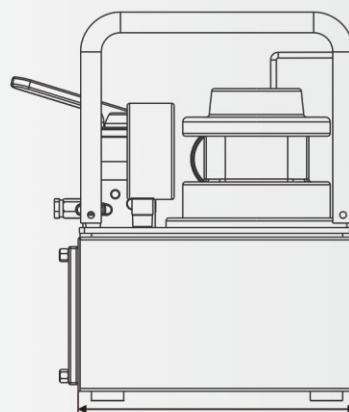
G= Pressure Gauge

|                         | Used with cylinder |   | Valve Function |   |   |
|-------------------------|--------------------|---|----------------|---|---|
| <b>BASIC PUMP VALVE</b> |                    |   |                |   |   |
| Manual 3 way Valve      | ●                  |   | ●              | ● | ● |
| Manual 4 way Valve      |                    | ● | ●              | ● | ● |



240mm

410mm



298mm

Air units (F.R.L.Unit) :  
filter  
regulator  
lubricate

| Model Number | Pump Type | dBA at Idle and 700bar | Motor kW (hp) | Used with cyl.            | Flow rate @115VAC(L/min) |          |           |           | Oil tank (L) | Weight (with oil) (kg) |
|--------------|-----------|------------------------|---------------|---------------------------|--------------------------|----------|-----------|-----------|--------------|------------------------|
|              |           |                        |               |                           | 0 (bar)                  | 50 (bar) | 350 (bar) | 700 (bar) |              |                        |
| APA-554TQJ   | TWO-Speed | 85/90                  | 2.2 (4)       | Single- and Double Acting | 12.0                     | 7.1      | 2.0       | 0.9       | 8            | 27.5                   |