

HYDRAULIC CYLINDER CENTER HOLE

ARRH SERIES

Capacity: 30-150 TON
Double Acting
700 Bar (10,000 psi)



FEATURES

- Hollow piston design allows for both pulling and pushing forces.
- High strength alloy steel construction for increased durability.
- Double acting operation for fast, controlled piston retraction.
- Built-in safety valve prevents accidental over-pressurization.
- Collar, piston threads, and base mounting holes enables easy fixturing.
- Rugged, ACR-400 Female couplers with dust covers provided.
- Complies with ASME B30.1 standards.



Pump Selection

A double-acting cylinder must be powered by a pump with a 4-way valve.

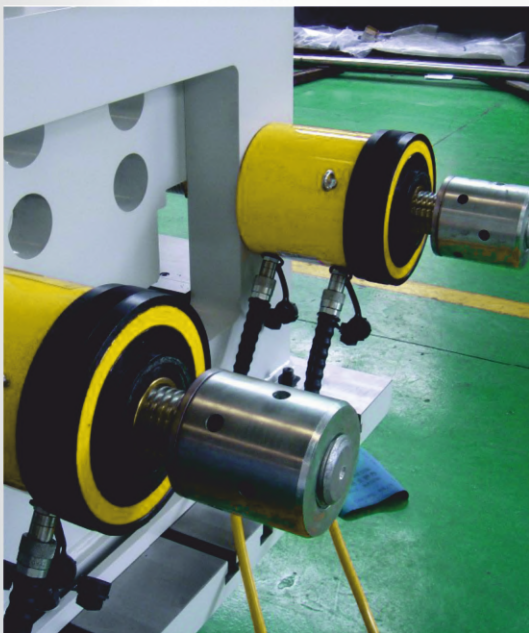
Shown from left to right :
ARRH-3010, ARRH-603,
ARRH-6010

Double-acting hollow plunger cylinders are applied for bridge launching systems.

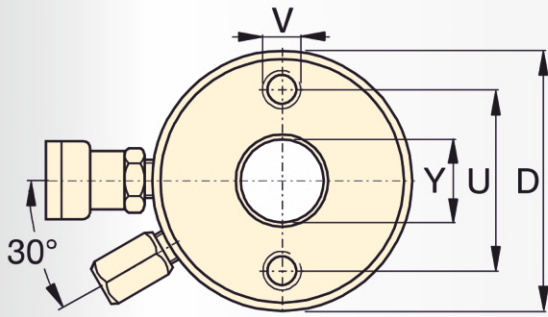


Gauges

Minimize the risk of overloading and ensure long, dependable service from your equipment.



| Model Number | Cylinder Capacity | Stroke | Max. Cylinder Capacity (kN) | | Cylinder Effective Area (cm ²) | | Oil Capacity (cm ³) | | |
|--------------|-------------------|--------|-----------------------------|------|--------------------------------------------|---------|---------------------------------|---------|---------|
| | | | ton | (mm) | Advance | Retract | Advance | Retract | Advance |
| ARRH-307 | 30 | 178 | 326 | 213 | 46,6 | 30,4 | 829 | 541 | |
| ARRH-3010 | | | 258 | 326 | 213 | 46,6 | 30,4 | 1202 | 784 |
| ARRH-603 | 60 | 89 | 576 | 380 | 82,3 | 54,2 | 733 | 482 | |
| ARRH-606 | | | 166 | 576 | 380 | 82,3 | 54,2 | 1366 | 900 |
| ARRH-6010 | | | 257 | 576 | 380 | 82,3 | 54,2 | 2115 | 1393 |
| ARRH-1001 | 100 | 38 | 931 | 612 | 133,0 | 87,4 | 505 | 333 | |
| ARRH-1003 | | | 76 | 931 | 612 | 133,0 | 87,4 | 1011 | 666 |
| ARRH-1006 | | | 153 | 931 | 612 | 133,0 | 87,4 | 2035 | 1337 |
| ARRH-10010 | | | 257 | 931 | 612 | 133,0 | 87,4 | 3420 | 2246 |
| ARRH-1508 | 150 | 203 | 1429 | 718 | 204,1 | 102,6 | 4144 | 2083 | |



HYDRAULIC CYLINDER CENTER HOLE

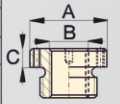
ARRH SERIES

Capacity: 30-150 TON
Double Acting
700 Bar (10,000 psi)

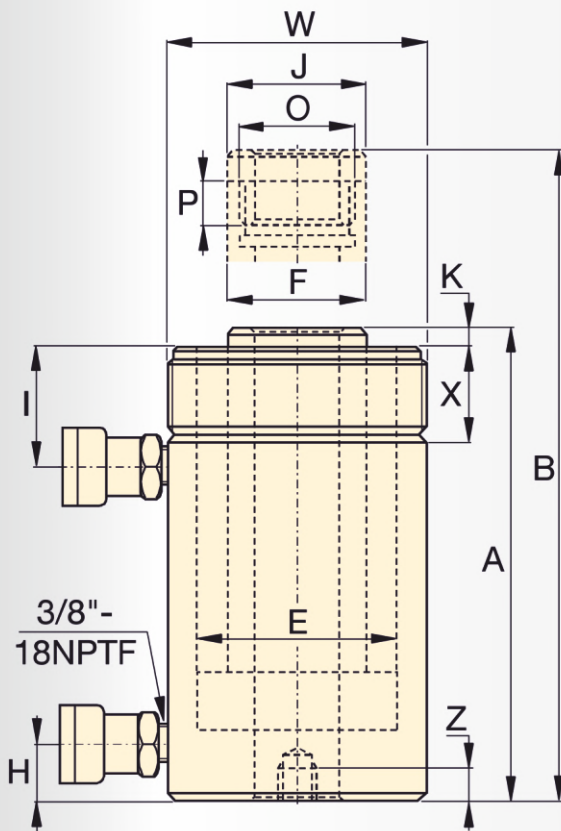
Versatility in Testing, Maintenance and
Tensioning Applications

Optional Heat Treated Hollow Saddles

| Saddle Type | Cylinder Model Number | Saddle Model Nr. | Saddle Dimensions (mm) | | |
|-----------------|------------------------------|------------------|------------------------|----------------|----|
| | | | A | B | C |
| Threaded Hollow | ARRH-307, 3010 | HP-3015 | 63 | 1 1/4" - 7 | 9 |
| | ARRH-603, 606, 6010 | HP-5016 | 91 | 1 5/8" - 5 1/2 | 12 |
| | ARRH-1001, 1003, 1006, 10010 | HP-10016 | 126 | 2 1/2" - 8 | 13 |



Smooth hollow saddles are standard on all ARRH-models.



Base Mounting Hole Dimensions (mm)

| Model Number | Bolt Circle U | Thread V | Thread Depth Z |
|--------------|---------------|-----------|----------------|
| ARRH-307 | 92,2 | 3/8" - 16 | 15,7 |
| ARRH-3010 | 92,2 | 3/8" - 16 | 15,7 |
| ARRH-603 | 130,0 | 1/2" - 13 | 14,0 |
| ARRH-606 | 130,0 | 1/2" - 13 | 14,0 |
| ARRH-6010 | 130,0 | 1/2" - 13 | 14,0 |
| ARRH-1001 | 177,8 | 5/8" - 11 | 19,0 |
| ARRH-1003 | 177,8 | 5/8" - 11 | 19,0 |
| ARRH-1006 | 177,8 | 5/8" - 11 | 19,0 |
| ARRH-10010 | 177,8 | 5/8" - 11 | 19,0 |
| ARRH-1508 | - | - | - |

| Coll. Height A | Ext. Height B | Out. Dia. D | Cyl. Bore Dia. E | Plgr. Dia. F | Cyl. Base to Adv. Port H | Cyl. Top to Return Port I | Saddle Dia. J | Saddle Protr. fr. Plgr. K | Thread O | Plunger Thread Length P | Collar Thread W | Collar Thread Length X | Center Hole Dia. Y | (kg) | Model Number |
|----------------|---------------|-------------|------------------|--------------|--------------------------|---------------------------|---------------|---------------------------|---------------|-------------------------|-----------------|------------------------|--------------------|------|--------------|
| 330 | 508 | 114 | 88,9 | 63,5 | 25 | 60 | 63 | 9 | 1 13/16" - 16 | 22 | 4 1/2" - 12 | 42 | 33,3 | 21 | ARRH-307 |
| 431 | 689 | 114 | 88,9 | 63,5 | 25 | 60 | 63 | 9 | 1 13/16" - 16 | 22 | 4 1/2" - 12 | 42 | 33,3 | 27 | ARRH-3010 |
| 247 | 336 | 159 | 123,9 | 91,9 | 31 | 66 | 91 | 12 | 2 3/4" - 16 | 19 | 6 1/4" - 12 | 48 | 53,8 | 28 | ARRH-603 |
| 323 | 489 | 159 | 123,9 | 91,9 | 31 | 66 | 91 | 12 | 2 3/4" - 16 | 19 | 6 1/4" - 12 | 48 | 53,8 | 35 | ARRH-606 |
| 438 | 695 | 159 | 123,9 | 91,9 | 31 | 66 | 91 | 12 | 2 3/4" - 16 | 19 | 6 1/4" - 12 | 48 | 53,8 | 45 | ARRH-6010 |
| 165 | 203 | 212 | 165,1 | 127,0 | 38 | 44 | 126 | 12 | 4" - 16 | 25 | - | - | 79,2 | 33 | ARRH-1001 |
| 254 | 330 | 212 | 165,1 | 127,0 | 38 | 85 | 126 | 12 | 4" - 16 | 25 | 8 3/8" - 12 | 60 | 79,2 | 61 | ARRH-1003 |
| 342 | 495 | 212 | 165,1 | 127,0 | 38 | 85 | 126 | 12 | 4" - 16 | 25 | 8 3/8" - 12 | 60 | 79,2 | 79 | ARRH-1006 |
| 460 | 717 | 212 | 165,1 | 127,0 | 38 | 85 | 126 | 12 | 4" - 16 | 25 | 8 3/8" - 12 | 60 | 79,2 | 106 | ARRH-10010 |
| 349 | 552 | 247 | 190,5 | 152,4 | 38 | 60 | 127 | 4 | 4 1/4" - 12 | 25 | - | - | 79,2 | 111 | ARRH-1508 |