

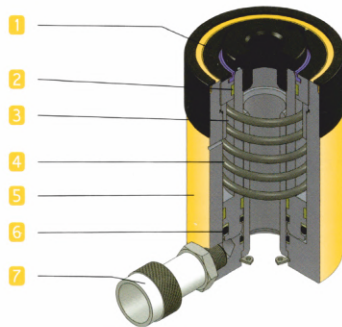
HYDRAULIC CYLINDER CENTER HOLE

ARCH SERIES

Capacity: 13-100 TON
Single Acting, Spring-Return
700 Bar (10,000 psi)

FEATURES

- Hollow piston design allows for both pulling and pushing forces.
- Heavy-duty return spring provide quick retraction times.
- Collar threads for easy fixturing.
- Rugged, ACR-400 Female coupler with dust cover provided.
- Complies with ASME B30.1 standards.



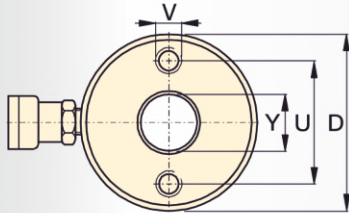
1. Hardened alloy steel guide ring eliminates over travel and provides support to reduce wear from off center loads.
2. High strength composite bearing support for off center loads without damaging the cylinder walls.
3. Hardened and chromed piston reduces wear and corrosion.
4. Heavy-duty return spring provide quick retraction times.
5. High strength alloy steel body is precision machined to reduce wear and features a baked enamel finish for durability and corrosion protection.
6. Industrial U-cup style seal prevents costly leaks.
7. Standard coupler provided with dust cover.

4 Aeroboom ARCH-306 pulling threaded bar in a the largest heat exchanger in SONDEX's factory

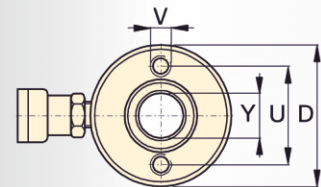
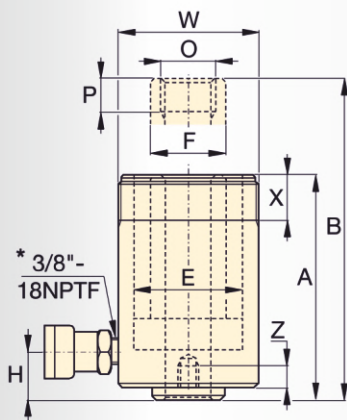


Model Number	Cylinder Capacity	Stroke	Cylinder Effective Area	Oil Capacity	Coll. Height	Ext. Height
	ton	(mm)	(cm ²)	(cm ³)	A (mm)	B (mm)
ARCH-120	13	8	17,9	14	55	63
ARCH-121*		42	17,9	75	120	162
ARCH-1211		42	17,9	75	120	162
ARCH-123		76	17,9	136	184	260
ARCH-202*	20	49	30,7	150	162	211
ARCH-206		155	30,7	476	306	461
ARCH-302*	30	64	46,6	298	178	242
ARCH-306		155	46,6	722	330	485
ARCH-603*	60	76	82,3	626	247	323
ARCH-606		153	82,3	1259	323	476
ARCH-1003*	100	76	133,0	1011	254	330

VERSATILITY IN TESTING, MAINTENANCE AND TENSIONING APPLICATIONS

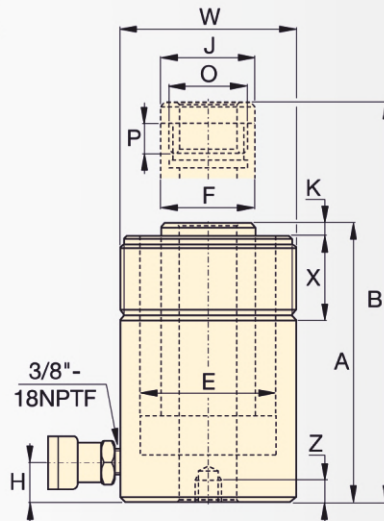


ARCH-202 to ARCH-1003 models



ARCH-120 to ARCH-123 models
* 1/4" NPTF for ARCH-120 only

ARCH-121 and ARCH-1211 have a 47 mm dia. boss that protrudes 6 mm from base.



HYDRAULIC CYLINDER CENTER HOLE

ARCH SERIES

Capacity: 13-100 TON
Single Acting, Spring-Return
700 Bar (10,000 psi)

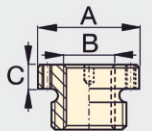
Available as set, see note on this page.

Base Mounting Hole Dimensions (mm)

Model Number	Bolt Circle U	Thread V	Thread Depth Z
ARCH-120	50,8	5/16" - 18 UNC	9,0
ARCH-121	-	-	-
ARCH-1211	-	-	-
ARCH-123	50,8	5/16" - 18 UNC	12,7
ARCH-202	82,6	3/8" - 16 UNC	9,4
ARCH-206	82,6	3/8" - 16 UNC	9,4
ARCH-302	92,2	3/8" - 16 UNC	14,0
ARCH-306	92,2	3/8" - 16 UNC	14,0
ARCH-603	130,3	1/2" - 13 UNC	14,0
ARCH-606	130,3	1/2" - 13 UNC	14,0
ARCH-1003	177,8	5/8" - 11 UNC	19,0

Optional Heat Treated Hollow Saddles

Saddle Type	Cylinder Model Number	Saddle Model Nr.	Saddle Dimensions (mm)		
			A	B	C
Threaded Hollow	ARCH-202, 206	HP-2015	53	1" - 8	9
	ARCH-302, 306	HP-3015	63	1 1/4" - 7	9
	ARCH-603, 606	HP-5016	91	1 5/8" - 5 1/2	12
	ARCH-1003	HP-10016	126	2 1/2" - 8	13



Smooth hollow saddles are standard on all ARCH-models (except ARCH-120, ARCH-1211).

Outside Dia. D (mm)	Cylinder Bore Dia. E (mm)	Plunger Dia. F (mm)	Cyl. Base to Advance Port H (mm)	Saddle Dia. J (mm)	Saddle Protrusion from Plgr. K (mm)	Plunger Internal Thread O	Plunger Thread Length P (mm)	Collar Thread W	Collar Thread Length X (mm)	Center Hole Dia. Y (mm)	(kg)	Model Number
69	54,1	35,1	9	-	-	3/4" - 16 UN	16	2 3/4" - 16	30	19,6	1,5	ARCH-120
69	54,1	35,1	25	-	-	-	-	2 3/4" - 16	30	19,6	2,8	ARCH-121*
69	54,1	35,1	25	-	-	3/4" - 16 UN	16	2 3/4" - 16	30	19,6	2,8	ARCH-1211
69	54,1	35,1	25	-	-	-	-	2 3/4" - 16	30	19,6	4,4	ARCH-123
98	73,1	54,1	19	54	9,7	1 9/16" - 16 UN	19	3 7/8" - 12	38	26,9	7,7	ARCH-202*
98	73,1	54,1	25	54	9,7	1 9/16" - 16 UN	19	3 7/8" - 12	38	26,9	14,1	ARCH-206
114	88,9	63,5	21	63	9,0	1 13/16" - 16 UN	22	4 1/2" - 12	42	33,3	10,9	ARCH-302*
114	88,9	63,5	25	63	9,0	1 13/16" - 16 UN	22	4 1/2" - 12	42	33,3	21,8	ARCH-306
159	123,9	91,9	31	91	12,0	2 3/4" - 16 UN	19	6 1/4" - 12	48	53,8	28,1	ARCH-603*
159	123,9	91,9	31	91	12,0	2 3/4" - 16 UN	19	6 1/4" - 12	48	53,8	35,4	ARCH-606
212	165,1	127,0	38	126	12,0	4" - 16 UN	25	8 3/8" - 12	60	79,0	63,0	ARCH-1003*