

HYDRAULIC CYLINDER HIGH TONNAGE

ALSG SERIES

Capacity: 50-1000 TON
Single Acting, Load Return
700 Bar (10,000 psi)

FEATURES

- High strength alloy steel construction for increased durability.
- Hardened and chromed piston reduces wear corrosion.
- Base mounting holes enable easy fixturing.
- Environmentally friendly coating process provides a durable anti-corrosion finish.
- Single Acting, Load return operation.
- Optional tilt saddles available.
- Rugged, ACR-400 Female couplers with dust covers provided.
- Complies with ASME B30.1 standards.



Eight ALSG-2506 cylinders equipped with tilting saddles lifted the planking of the bridge as the pier heads were being rebuilt.



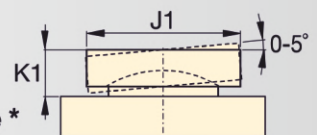
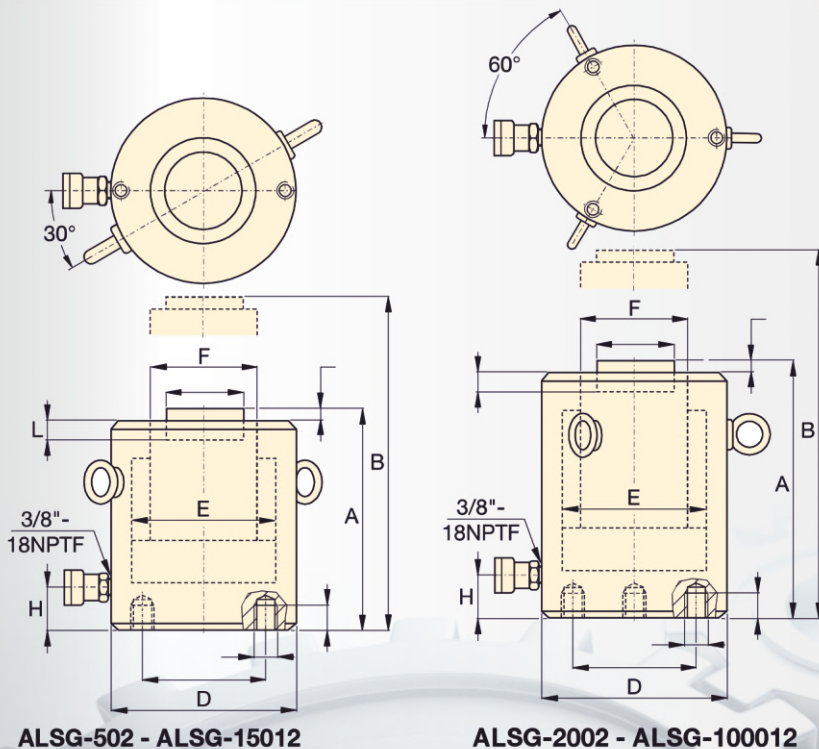
Saddles

All ALSG Series cylinders are equipped with bolt-on removable grooved saddles.



Higher Capacities

1500 and 2000 ton models available on request.



Optional Tilt Saddle *

¹⁾ Base mounting holes are random positioned in regard to coupler position.

Base Mounting Hole ¹⁾ Dimensions (mm)

Model / Capacity ton	Bolt Circle U	Thread Size V	Min. Thread Depth Z
ALSG-50	65	2x M12	22
ALSG-100	95	2x M12	22
ALSG-150	130	2x M12	22
ALSG-200	165	3x M12	22
ALSG-250	190	3x M12	22
ALSG-300	180	3x M16	30
ALSG-400	205	3x M16	30
ALSG-500	250	3x M24	36
ALSG-600	275	3x M24	36
ALSG-800	330	3x M24	36
ALSG-1000	375	3x M24	36



Mounting Hole Orientation

Top mounting hole orientation is maintained to port location. Base mounting hole orientation is not maintained to port location.

For full features see previous page.

Model Number	Cylinder Capacity ton	Stroke (mm)	Cylinder Effective Area (cm ²)	Oil Capacity (cm ³)	Collapsed Height		Outside Dia. D (mm)	Cylinder Bore Dia. E (mm)	Plunger Dia. F (mm)	Base to Adv. Port H (mm)	 (kg)	* Optional Tilt Saddle		
					A (mm)	B (mm)						Saddle Dia. J1 (mm)	Saddle Height K1 (mm)	Saddle Model Number
ALSG-502	50	50	77,0	385	162	212	130	99,0	70,0	52	17	50	24	ATG-50
ALSG-504		100	77,0	770	212	312	130	99,0	70,0	52	20	50	24	ATG-50
ALSG-506		150	77,0	1155	262	412	130	99,0	70,0	52	23	50	24	ATG-50
ALSG-508		200	77,0	1540	312	512	130	99,0	70,0	52	27	50	24	ATG-50
ALSG-5010		250	77,0	1924	362	612	130	99,0	70,0	52	31	50	24	ATG-50
ALSG-5012		300	77,0	2309	412	712	130	99,0	70,0	52	34	50	24	ATG-50
ALSG-1002	100	50	132,7	664	182	232	165	130,0	95,0	54	19	73	29	ATG-100
ALSG-1004		100	132,7	1327	232	332	165	130,0	95,0	54	29	73	29	ATG-100
ALSG-1006		150	132,7	1991	282	432	165	130,0	95,0	54	40	73	29	ATG-100
ALSG-1008		200	132,7	2655	332	532	165	130,0	95,0	54	50	73	29	ATG-100
ALSG-10010		250	132,7	3318	382	632	165	130,0	95,0	54	61	73	29	ATG-100
ALSG-10012		300	132,7	3982	432	732	165	130,0	95,0	54	71	73	29	ATG-100
ALSG-1502	150	50	198,6	993	196	246	205	159,0	114,0	61	39	91	31	ATG-150
ALSG-1504		100	198,6	1986	246	346	205	159,0	114,0	61	52	91	31	ATG-150
ALSG-1506		150	198,6	2978	296	446	205	159,0	114,0	61	65	91	31	ATG-150
ALSG-1508		200	198,6	3971	346	546	205	159,0	114,0	61	78	91	31	ATG-150
ALSG-15010		250	198,6	4964	396	646	205	159,0	114,0	61	92	91	31	ATG-150
ALSG-15012		300	198,6	5957	446	746	205	159,0	114,0	61	105	91	31	ATG-150
ALSG-2002	200	50	265,9	1330	216	266	235	184,0	133,0	67	55	118	35	ATG-200
ALSG-2006		150	265,9	3989	316	466	235	184,0	133,0	67	91	118	35	ATG-200
ALSG-2008		200	265,9	5289	366	566	235	184,0	133,0	67	100	118	35	ATG-200
ALSG-20012		300	265,9	7977	466	766	235	184,0	133,0	67	146	118	35	ATG-200
ALSG-2502	250	50	366,4	1832	235	285	275	216,0	165,0	73	102	144	46	ATG-250
ALSG-2506		150	366,4	5497	335	485	275	216,0	165,0	73	136	144	46	ATG-250
ALSG-25012		300	366,4	10993	485	785	275	216,0	165,0	73	207	144	46	ATG-250
ALSG-3002	300	50	456,2	2281	312	362	310	241,0	197,0	101	184	160	62	ATG-300
ALSG-3006		150	456,2	6843	412	562	310	241,0	197,0	101	232	160	62	ATG-300
ALSG-30012		300	456,2	13685	562	862	310	241,0	197,0	101	303	160	62	ATG-300
ALSG-4002	400	50	559,9	2800	375	425	350	267,0	216,0	114	270	193	51	ATG-400
ALSG-4006		150	559,9	8399	475	625	350	267,0	216,0	114	330	193	51	ATG-400
ALSG-40012		300	559,9	16797	625	925	350	267,0	216,0	114	421	193	51	ATG-400
ALSG-5002	500	50	730,6	3653	419	469	400	305,0	248,0	114	401	228	63	ATG-500
ALSG-5006		150	730,6	10959	519	669	400	305,0	248,0	114	480	228	63	ATG-500
ALSG-50012		300	730,6	21918	669	969	400	305,0	248,0	114	599	228	63	ATG-500
ALSG-6002	600	50	855,3	4276	429	479	430	330,0	267,0	114	474	241	76	ATG-600
ALSG-6006		150	855,3	12829	529	679	430	330,0	267,0	114	565	241	76	ATG-600
ALSG-60012		300	855,3	25659	679	979	430	330,0	267,0	114	701	241	76	ATG-600
ALSG-8002	800	50	1176,3	5881	474	524	505	387,0	317,0	149	741	287	75	ATG-800
ALSG-8006		150	1176,3	17644	574	724	505	387,0	317,0	149	880	287	75	ATG-800
ALSG-80012		300	1176,3	35288	724	1024	505	387,0	317,0	149	1058	287	75	ATG-800
ALSG-10002	1000	50	1465,7	7329	564	614	560	432,0	343,0	174	1062	311	93	ATG-1000
ALSG-10006		150	1465,7	21986	664	814	560	432,0	343,0	174	1213	311	93	ATG-1000
ALSG-100012		300	1465,7	43972	814	1114	560	432,0	343,0	174	1439	311	93	ATG-1000

* Stroke of 100 mm, 200mm, 250mm is also available on each Cylinder on special request.