

HYDRAULIC CYLINDER HIGH TONNAGE

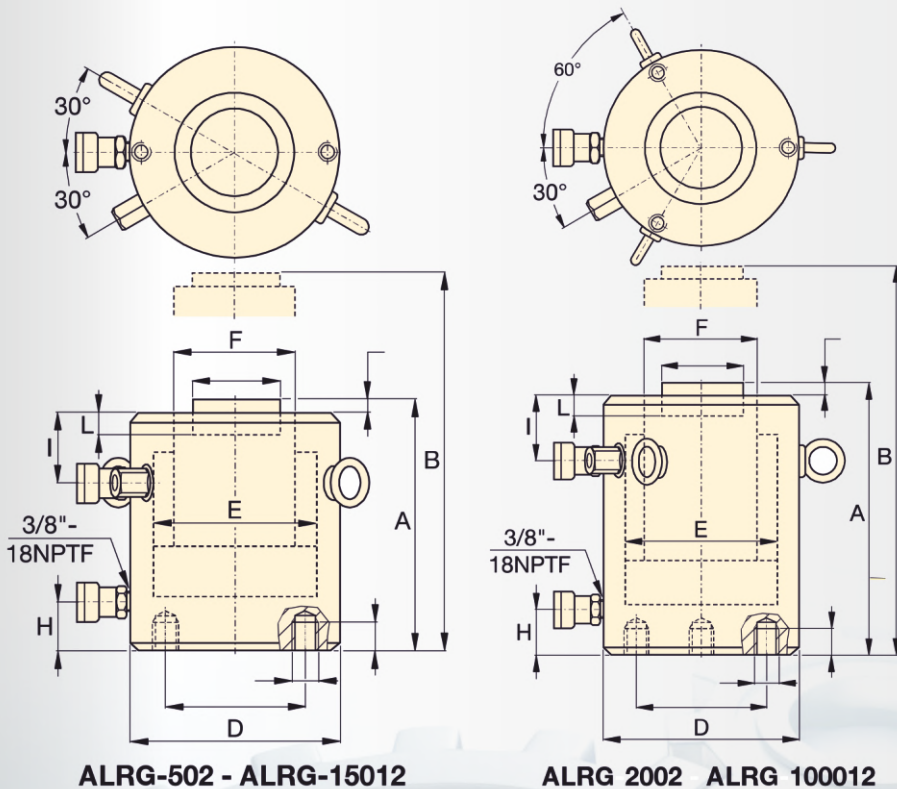
ALRG SERIES

Capacity: 50-1000 TON
Double Acting, Hydraulic- Return
700 Bar (10,000 psi)

FEATURES

- High strength alloy steel construction for increased durability.
- Hardened and chromed piston reduces wear corrosion.
- Built-in safety valve prevents accidental over pressurization.
- Base mounting holes enable easy fixturing.
- Easy to carry and position with included eye bolts.
- Environmentally friendly coating process provides a durable anti-corrosion finish.
- Optional tilt saddles available.
- Rugged, ACR-400 Female couplers with dust covers provided.
- Complies with ASME B30.1 standards.

Shown from left to right:
ALRG-1006, ALRG-1002, ALRG-2006



Base Mounting Hole¹⁾ Dimensions (mm)

Model / Capacity ton	Bolt Circle U	Thread Size V	Min. Thread Depth Z
ALRG-50	65	2x M12	22
ALRG-100	95	2x M12	22
ALRG-150	130	2x M12	22
ALRG-200	165	3x M12	22
ALRG-250	190	3x M12	22
ALRG-300	180	3x M16	30
ALRG-400	205	3x M16	30
ALRG-500	250	3x M24	36
ALRG-600	275	3x M24	36
ALRG-800	330	3x M24	36
ALRG-1000	375	3x M24	36

Base mounting holes are random positioned in regard to coupler position.



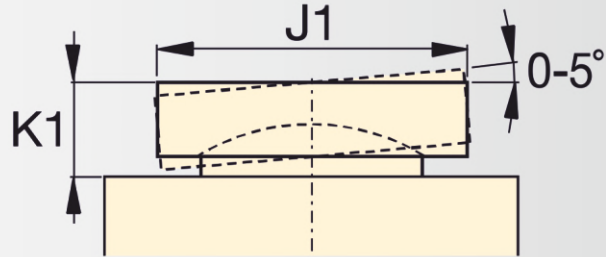
Standard Features

Inter changeable, hardened grooved saddles Top and side mounted lifting eye capability ACR-400 coupler and dust cap. All cylinders meet ASMEB-30.1 and ISO 10100 standards.



Mounting Hole Orientation

Top mounting hole orientation is maintained to port location. Base mounting hole orientation is not maintained to port location.



* Optional Tilt Saddle

Double-Acting Power Lifters

For full features see previous page.

Model Number	Cylinder Capacity ton	Stroke (mm)	Maximum Cylinder Capacity (kN)		Cylinder Effective Area (cm ²)		Oil Capacity (cm ³)		Collaps. Height A (mm)	Extend. Height B (mm)	Outside Dia. D (mm)	Cyl. Bore Dia. E (mm)	Plunger Dia. F (mm)	Base to Advance Port H (mm)	Top to Retract Port I (mm)	Weight (kg)	* Optional Tilt Saddle		
			Push	Pull	Push	Pull	Push	Pull									Saddle Dia. J1 (mm)	Saddle Height K1 (mm)	Saddle Model Number
ALRG-502	50	50	539	269	77,0	38,5	385	192	162	212	130	99	70	52	33	17	50	24	ATG-50
ALRG-504		100	539	269	77,0	38,5	770	385	212	312	130	99	70	52	33	20	50	24	ATG-50
ALRG-506		150	539	269	77,0	38,5	1155	577	262	412	130	99	70	52	33	23	50	24	ATG-50
ALRG-508		200	539	269	77,0	38,5	1540	770	312	512	130	99	70	52	33	27	50	24	ATG-50
ALRG-5010		250	539	269	77,0	38,5	1924	962	362	612	130	99	70	52	33	31	50	24	ATG-50
ALRG-5012		300	539	269	77,0	38,5	2309	1155	412	712	130	99	70	52	33	34	50	24	ATG-50
ALRG-1002	100	50	929	433	132,7	61,9	664	309	179	229	165	130	95	54	48	29	73	29	ATG-100
ALRG-1004		100	929	433	132,7	61,9	1327	619	229	329	165	130	95	54	48	34	73	29	ATG-100
ALRG-1006		150	929	433	132,7	61,9	1991	928	279	429	165	130	95	54	48	40	73	29	ATG-100
ALRG-1008		200	929	433	132,7	61,9	2655	1237	329	529	165	130	95	54	48	46	73	29	ATG-100
ALRG-10010		250	929	433	132,7	61,9	3318	1546	379	629	165	130	95	54	48	52	73	29	ATG-100
ALRG-10012		300	929	433	132,7	61,9	3982	1856	429	729	165	130	95	54	48	58	73	29	ATG-100
ALRG-1502	150	50	1390	675	198,6	96,5	993	482	196	246	205	159	114	61	56	39	91	31	ATG-150
ALRG-1504		100	1390	675	198,6	96,5	1986	965	246	346	205	159	114	61	56	52	91	31	ATG-150
ALRG-1506		150	1390	675	198,6	96,5	2978	1447	296	446	205	159	114	61	56	65	91	31	ATG-150
ALRG-1508		200	1390	675	198,6	96,5	3971	1930	346	546	205	159	114	61	56	78	91	31	ATG-150
ALRG-15010		250	1390	675	198,6	96,5	4964	2412	396	646	205	159	114	61	56	92	91	31	ATG-150
ALRG-15012		300	1390	675	198,6	96,5	5957	2895	446	746	205	159	114	61	56	105	91	31	ATG-150
ALRG-2002	200	50	1861	889	265,9	127,0	1330	635	212	262	235	184	133	67	66	55	118	35	ATG-200
ALRG-2006		150	1861	889	265,9	127,0	3989	1905	312	462	235	184	133	67	66	91	118	35	ATG-200
ALRG-20012		300	1861	889	265,9	127,0	7977	3809	462	762	235	184	133	67	66	146	118	35	ATG-200
ALRG-2502	250	50	2565	1068	366,4	152,6	1832	763	235	285	275	216	165	73	78	89	144	46	ATG-250
ALRG-2506		150	2565	1068	366,4	152,6	5497	2289	335	485	275	216	165	73	78	136	144	46	ATG-250
ALRG-25012		300	2565	1068	366,4	152,6	10993	4578	485	785	275	216	165	73	78	207	144	46	ATG-250
ALRG-3002	300	50	3193	1060	456,2	151,4	2281	757	322	372	310	241	197	101	75	184	160	62	ATG-300
ALRG-3006		150	3193	1060	456,2	151,4	6843	2270	422	572	310	241	197	101	75	232	160	62	ATG-300
ALRG-30012		300	3193	1060	456,2	151,4	13685	4541	572	872	310	241	197	101	75	303	160	62	ATG-300
ALRG-4002	400	50	3919	1354	559,9	193,5	2800	967	374	424	350	267	216	114	105	270	193	51	ATG-400
ALRG-4006		150	3919	1354	559,9	193,5	8399	2902	474	624	350	267	216	114	105	330	193	51	ATG-400
ALRG-40012		300	3919	1354	559,9	193,5	16797	5804	624	924	350	267	216	114	105	421	193	51	ATG-400
ALRG-5002	500	50	5114	1733	730,6	247,6	3653	1238	419	469	400	305	248	114	135	401	228	63	ATG-500
ALRG-5006		150	5114	1733	730,6	247,6	10959	3713	519	669	400	305	248	114	135	480	228	63	ATG-500
ALRG-50012		300	5114	1733	730,6	247,6	21918	7427	669	969	400	305	248	114	135	599	228	63	ATG-500
ALRG-6002	600	50	5987	2068	855,3	295,4	4276	1477	429	479	430	330	267	114	135	474	241	76	ATG-600
ALRG-6006		150	5987	2068	855,3	295,4	12829	4431	529	679	430	330	267	114	135	565	241	76	ATG-600
ALRG-60012		300	5987	2068	855,3	295,4	25659	8862	679	979	430	330	267	114	135	701	241	76	ATG-600
ALRG-8002	800	50	8234	2709	1176,3	387,0	5881	1935	484	534	505	387	317	149	135	741	287	75	ATG-800
ALRG-8006		150	8234	2709	1176,3	387,0	17644	5806	584	734	505	387	317	149	135	868	287	75	ATG-800
ALRG-80012		300	8234	2709	1176,3	387,0	35288	11611	734	1034	505	387	317	149	135	1058	287	75	ATG-800
ALRG-10002	1000	50	10260	3792	1465,7	541,7	7329	2709	564	614	560	432	343	174	170	1062	311	93	ATG-1000
ALRG-10006		150	10260	3792	1465,7	541,7	21986	8126	664	814	560	432	343	174	170	1213	311	93	ATG-1000
ALRG-100012		300	10260	3792	1465,7	541,7	43972	16252	814	1114	560	432	343	174	170	1439	311	93	ATG-1000