

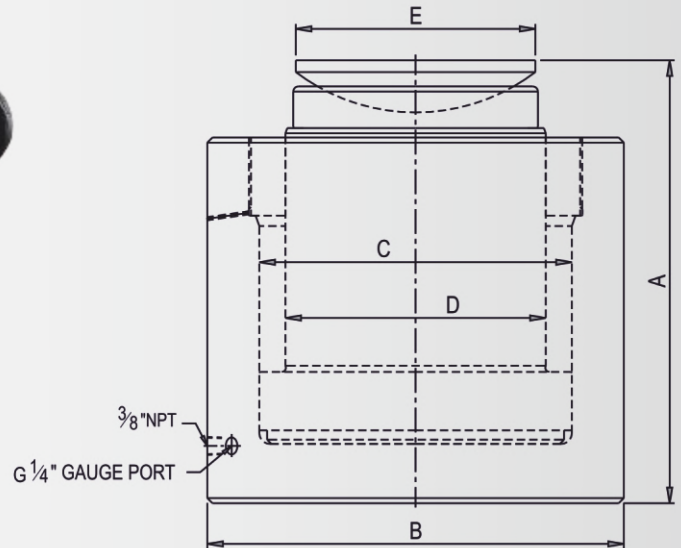
FEATURES

- Multipurpose jacks.
- Gland Nut designed to withstand dead end load.
- Spherical saddle reduces damage to jack against off-center load.
- Maintenance, fabrication, construction, Heavy industries, power & process plants, shipyards.



HYDRAULIC CYLINDER HIGH TONNAGE

ALPS SERIES
Capacity: 600 - 2000 TON
Single Acting, Spherical Saddle
700 Bar (10,000 psi)



Model	Rated capacity (ton)	Capacity @ 700 bar (kN)	Stroke (mm)	Effective area (cm ²)	Oil cap. (cc)	A Coll Height (mm)	B Cylinder OD (mm)	C Bore dia. (mm)	D Ram dia. (mm)	E Saddle dia. (mm)	Wt. (Approx.) (kg)
ALPS 600-100	600	5987	100	855.3	8553	390	430	330	275	260	365
ALPS 600-150	600	5987	150	855.3	12829	440	430	330	275	260	412
ALPS 600-200	600	5987	200	855.3	17106	490	430	330	275	260	459
ALPS 800-100	800	7939	100	1134.1	11341	425	505	380	310	290	537
ALPS 800-150	800	7939	150	1134.1	17012	475	505	380	310	290	600
ALPS 800-200	800	7939	200	1134.1	22682	525	505	380	310	290	664
ALPS 1000-100	1000	9930	100	1418.6	14186	460	560	425	350	330	729
ALPS 1000-150	1000	9930	150	1418.6	21279	510	560	425	350	330	808
ALPS 1000-200	1000	9930	200	1418.6	28373	560	560	425	350	330	887
ALPS 1500-100	1500	15154	100	2164.8	21648	545	705	525	450	400	1357
ALPS 1500-150	1500	15154	150	2164.8	32472	595	705	525	450	400	1488
ALPS 1500-200	1500	15154	200	2164.8	43296	645	705	525	450	400	1618
ALPS 2000-100	2000	20458	100	2922.5	29225	615	810	610	525	495	2031
ALPS 2000-150	2000	20458	150	2922.5	43837	665	810	610	525	495	2204
ALPS 2000-200	2000	20458	200	2922.5	58450	715	810	610	525	495	2377

- Higher capacity and customized solutions on request. • Specifications are subject to change due to continual improvement.
- Capacity and Stroke specified are maximum safe limits. As safe practice, use at 80% of rating.