

H FRAME

Capacity: 100,150 & 200 ton

FEATURES

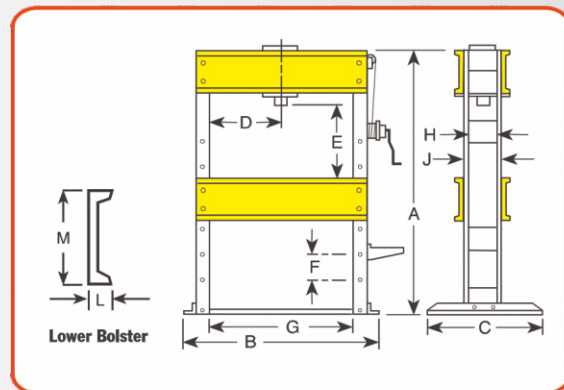
- Cylinder work head glides across upper frame on rollers, locks in place for off-center pressing jobs, May be used horizontally for special pressing applications with user supplied supports.
- Press bed is raised and lowered by winch which locks in place for insertion of bed retaining pins, Upper bolster can be lowered 8" for convenient positioning on repetitive jobs.
- Generous "daylight" accommodates bulky work pieces, uprights are placed for easy side entry of bars or shafts for straightening or bending.
- Choice of single- or double-acting cylinder, Hydraulic pump options include: 2-speed hand pump with large 7, 6 l reservoir, APE30M3 electric/hydraulic pump or "APQ" series "Quiet" electric/hydraulic pump with low noise level.



hydraulic gauge and hydraulic fittings are included with presses



No, AF150 - Straightening fixtures for use with 100 ton shop press and 100-, 150-, and 200-ton Roll Bed presses (2 ea.), Wt., 196 lbs, **Not part of press, order separately,**



Dimensions

Cap	A (mm)	B (mm)	C (mm)	D* (mm)	E (mm)	F (mm)	G (mm)	H (mm)	J (mm)	L (mm)	M (mm)	Floor Space (mm)
100T	1,962	1,626	914	178-1,092	51-1,067	203	1,270	203	254	86	381	914 x 1,988
200T	2,286	1,803	1,118	279-991	228-1,111	279	1,270	318	381	105	457	1,117 x 1,803

*Lateral head movement

TECHNICAL DATA

Model	Cap. (tons)	Types of Cylinder Used	Stroke	Cylinder Model	Speed (in/min)**		Type Pump	Value Type	Model Pump	(kg)
					Advance	Pressing				
ASPM10010	100	S/A	260	ARC-10010	9.0mm /stroke	9.0mm /stroke	Hand	3-Way	P-145	769
ASPE10010	100	S/A	260	ARC-10010	889	74	Electric	3-Way	APE-554	813
ASPE10010R	100	S/A	260	ARC-10010	292	20	Electric	2-Way	APE-554	766
ASPE10013DS	100	S/A	333	ARC-10013	889	147	Electric	4-Way*	APE-554	854
ASPE15013DS	150	D/A	333	ARC-10013	910	99	Electric	4-Way**	APE-554	1366
ASPE20013DS	200	D/A	333	ARC-10013	457	74	Electric	4-Way**	APE-554	1484

*Solenoid valve with 24 volt remote control hand switch.

† Frame is shipped assembled.

‡ Typical performance based on 100 psi and 10,000 psi pump specifications, Actual speeds may vary under operating conditions.

‡ Pump standard with press, Other Aeroboom pumps can be substituted.