

HYDRAULIC CYLINDER GENERAL PURPOSE

ARC SERIES

Capacity: 5-100 TON
Single Acting, Spring-Return
700 Bar (10,000 psi)

FEATURES

- High strength alloy steel construction for increased durability.
- Hardened and chromed piston reduces wear and corrosion.
- Heavy-duty, straight pull return springs provide quick retraction times.
- Collar, piston threads, and base mounting holes enable easy fixturing.
- Environmentally friendly coating process provides a durable anti-corrosion finish.
- Hardened, and E-coated snap-in type saddle prevents piston jamming and mushrooming.
- Rugged, ACR-400 Female coupler with dust cover provided.
- Can be used in any position.
- Complies with ASME B30.1 standards.

ACCESSORIES



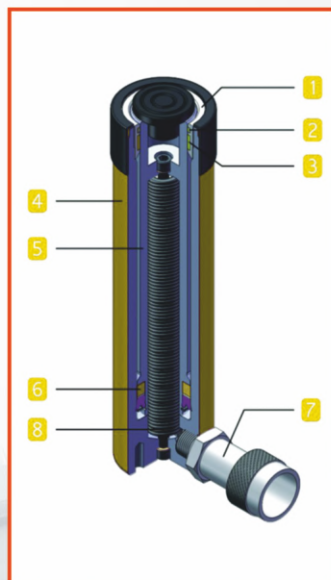
High Pressure Hydraulic Hoses see pages



Use with AV-23 manually operated check valve for load holding see pages



Pressure gauges available to monitor system pressure see pages.

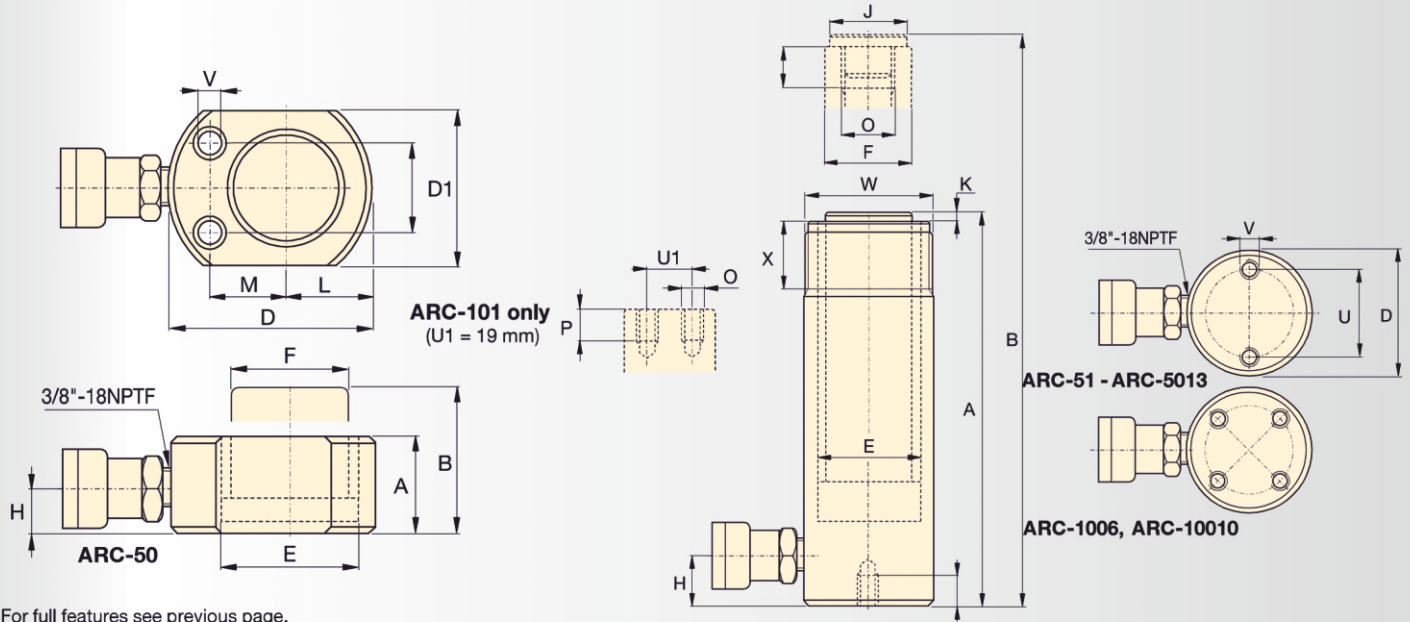


OPTIONAL TILT SADDLES

Tilt Saddle	Use with Cylinder capacity	Tilt Saddle	For use with Cylinder Capacity
	Metric Ton (US Ton)		Metric Ton (US Ton)*
-	5 (5.5)	AT-50	30 (33)
AT-10	10 (11)*	AT-100	50 (55)
AT-10	15 (16.5)	AT-100	75 (82.5)
AT-50	25 (27.5)	AT-100	95 (102.3)

* Excepts ARC-101

1. Hardened alloy steel guide ring eliminates over travel and provides support to reduce wear from off center loads.
2. Heavy-duty wiper ring keeps dust and debris out of the cylinder body improving performance and service life of the cylinder.
3. High strength composite bearing provides support for off center loads without damaging the cylinder walls.
4. High strength alloy steel body is precision machined to reduce wear and features a baked enamel finish for durability and corrosion protection.
5. Hardened and chromed piston reduces wear and corrosion.
6. Industrial U-cup style seal prevents costly leaks.
7. Standard coupler provided with dust cover.
8. Heavy-duty, straight pull return springs provide quick retraction times.



◀ For full features see previous page.

Model Number	Cylinder Capacity	Stroke	Cylinder Effective Area	Oil Capacity	Collapsed Height	Extended Height	Outside Dia.	Cylinder Bore Dia.	Plunger Dia.	Base to Adv. Port	Saddle Dia.	Plunger Internal Thread	Plunger Thread Length	Base Mounting Holes Thread	Collar Thread	Collar Thread Length	Weight
ARC-50**	5	16	6,5	10	41	57	58***	28,7	25,4	19	**	**	**	5,6 mm	—	—	1,0
ARC-51		25	6,5	16	110	135	38	28,7	25,4	19	25	14	14	—	—	28	1,0
ARC-53		76	6,5	50	165	241	38	28,7	25,4	19	25	14	14	—	—	28	1,5
ARC-55*		127	6,5	83	215	342	38	28,7	25,4	19	25	3/4" - 16 UN	14	1/4" - 20 UN	1/2" - 16 UN	28	1,9
ARC-57		177	6,5	115	273	450	38	28,7	25,4	19	25	16	16	—	—	28	2,4
ARC-59	232	6,5	151	323	555	38	28,7	25,4	19	25	16	16	—	—	28	2,8	
ARC-101	10	26	14,5	38	89	115	57	42,9	38,1	19	—	#10 - 24 UN	6	—	—	26	1,8
ARC-102*		54	14,5	78	121	175	57	42,9	38,1	19	35	19	19	—	—	26	2,3
ARC-104		105	14,5	152	171	276	57	42,9	38,1	19	35	19	19	—	—	26	3,3
ARC-106*		156	14,5	226	247	403	57	42,9	38,1	19	35	19	19	5/16" - 18 UN	2 1/4" - 14 UN	26	4,4
ARC-108		203	14,5	294	298	501	57	42,9	38,1	19	35	19	19	—	—	26	5,4
ARC-1010*		257	14,5	373	349	606	57	42,9	38,1	19	35	19	19	—	—	26	6,4
ARC-1012		304	14,5	441	400	704	57	42,9	38,1	19	35	19	19	—	—	26	6,8
ARC-1014		356	14,5	516	450	806	57	42,9	38,1	19	35	19	19	—	—	26	8,2
ARC-151	15	25	20,3	51	124	149	69	50,8	41,4	19	38	1" - 8 UN	25	—	—	30	3,3
ARC-152		51	20,3	104	149	200	69	50,8	41,4	19	38	22	22	—	—	30	4,1
ARC-154*		101	20,3	205	200	301	69	50,8	41,4	19	38	22	22	—	—	30	5,0
ARC-156*		152	20,3	308	271	423	69	50,8	41,4	25	38	25	25	3/8" - 16 UN	2 3/4" - 16 UN	30	6,8
ARC-158		203	20,3	411	322	525	69	50,8	41,4	25	38	25	25	—	—	30	8,2
ARC-1510		254	20,3	516	373	627	69	50,8	41,4	25	38	25	25	—	—	30	9,5
ARC-1512		305	20,3	619	423	728	69	50,8	41,4	25	38	25	25	—	—	30	10,9
ARC-1514		356	20,3	723	474	830	69	50,8	41,4	25	38	25	25	—	—	30	11,8
ARC-251	25	26	33,2	86	139	165	85	65,0	57,2	25	50	1 1/2" - 16 UN	25	—	—	49	5,9
ARC-252*		50	33,2	166	165	215	85	65,0	57,2	25	50	25	25	—	—	49	6,4
ARC-254*		102	33,2	339	215	317	85	65,0	57,2	25	50	25	25	—	—	49	8,2
ARC-256*		158	33,2	525	273	431	85	65,0	57,2	25	50	25	25	1/2" - 13 UN	3 5/16" - 12 UN	49	10,0
ARC-258		210	33,2	697	323	533	85	65,0	57,2	25	50	25	25	—	—	49	12,2
ARC-2510		261	33,2	867	374	635	85	65,0	57,2	25	50	25	25	—	—	49	14,1
ARC-2512		311	33,2	1033	425	736	85	65,0	57,2	25	50	25	25	—	—	49	16,3
ARC-2514*	362	33,2	1202	476	838	85	65,0	57,2	25	50	25	25	—	—	49	17,7	
ARC-308	30	209	42,1	880	387	596	101	73,2	57,2	57	50	—	—	—	—	49	18,1
ARC-502	50	51	71,2	362	176	227	127	95,2	79,5	33	71	—	—	—	—	55	15,0
ARC-504		101	71,2	719	227	328	127	95,2	79,5	33	71	—	—	1/2" - 13 UN	5" - 12 UN	55	19,1
ARC-506*		159	71,2	1131	282	441	127	95,2	79,5	35	71	—	—	—	—	55	23,1
ARC-5010		260	71,3	1855	384	644	127	95,2	79,5	35	71	—	—	—	—	55	31,8
ARC-5013	337	71,2	2399	460	797	127	95,2	79,5	35	71	—	—	—	—	55	37,6	
ARC-756	75	156	102,6	1601	285	441	146	114,3	95,2	30	71	—	—	—	5 3/4" - 12 UN	44	29,5
ARC-7513		333	102,6	3417	492	825	146	114,3	95,2	30	71	—	—	3/4" - 10 UN	5 3/4" - 12 UN	44	59,0
ARC-1006	100	168	133,3	2239	357	525	177	130,3	104,9	41	71	—	—	3/4" - 10 UN	6 7/8" - 12 UN	44	59,0
ARC-10010		260	133,3	3466	449	709	177	130,3	104,9	41	71	—	—	6 7/8" - 12 UN	44	72,6	

** ARC-50 cylinder has a non removable grooved saddle and no collar thread.
 *** D1 = 41 mm, L = 20 mm, M = 25 mm.