

HYDRAULIC CYLINDER GENERAL PURPOSE

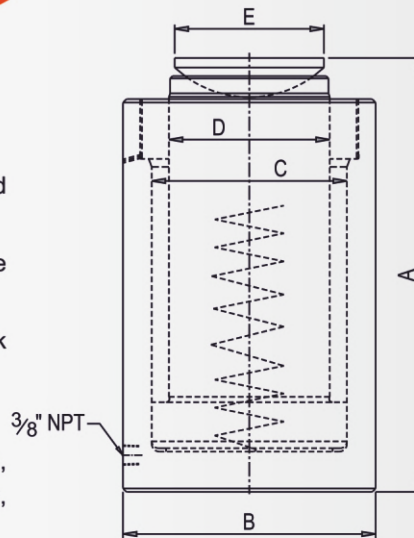
ASPS SERIES

Capacity: 10 - 500 TON
Single Acting, Spherical Saddle
700 Bar (10,000 psi)



FEATURES

- Multipurpose jacks.
- Gland Nut designed to withstand dead end load.
- Base mounting holes & collar threads are optional.
- Spherical saddle reduces damage to jack against off-center load.
- Used in horizontal & vertical directions.
- Maintenance, fabrication, construction, Heavy industries, power & process plants, shipyards.



Model	Rated capacity (ton)	Capacity @ 700 bar (kN)	Stroke (mm)	Effective area (cm ²)	Oil cap. (cc)	A Coll Height (mm)	B Cylinder OD (mm)	C Bore dia. (mm)	D Ram dia. (mm)	E Saddle dia. (mm)	Wt. (Approx.) (kg)
ASPS 10-50	10	111	50	15.9	80	145	60	45	35	35	2.6
ASPS 10-100	10	111	100	15.9	159	195	60	45	35	35	3.4
ASPS 10-150	10	111	150	15.9	239	245	60	45	35	35	4.2
ASPS 10-200	10	111	200	15.9	318	295	60	45	35	35	5
ASPS 15-50	15	167	50	23.8	119	155	70	55	45	43	4.2
ASPS 15-100	15	167	100	23.8	238	205	70	55	45	43	5.4
ASPS 15-150	15	167	150	23.8	356	255	70	55	45	43	6.5
ASPS 15-200	15	167	200	23.8	475	305	70	55	45	43	7.6
ASPS 20-50	20	218	50	31.2	156	160	80	63	50	48	5.6
ASPS 20-100	20	218	100	31.2	312	210	80	63	50	48	7
ASPS 20-150	20	218	150	31.2	468	260	80	63	50	48	8.3
ASPS 20-200	20	218	200	31.2	623	310	80	63	50	48	9.7
ASPS 25-50	25	270	50	38.5	192	170	90	70	55	48	7.3
ASPS 25-100	25	270	100	38.5	385	220	90	70	55	48	9.1
ASPS 25-150	25	270	150	38.5	577	270	90	70	55	48	10.9
ASPS 25-200	25	270	200	38.5	770	320	90	70	55	48	12.7
ASPS 30-50	30	309	50	44.2	221	175	100	75	60	55	9.3
ASPS 30-100	30	309	100	44.2	442	225	100	75	60	55	11.5
ASPS 30-150	30	309	150	44.2	663	275	100	75	60	55	13.8
ASPS 30-200	30	309	200	44.2	884	325	100	75	60	55	16
ASPS 50-50	50	550	50	78.5	393	190	130	100	80	74	17
ASPS 50-100	50	550	100	78.5	785	240	130	100	80	74	21
ASPS 50-150	50	550	150	78.5	1178	290	130	100	80	74	25
ASPS 50-200	50	550	200	78.5	1571	340	130	100	80	74	29

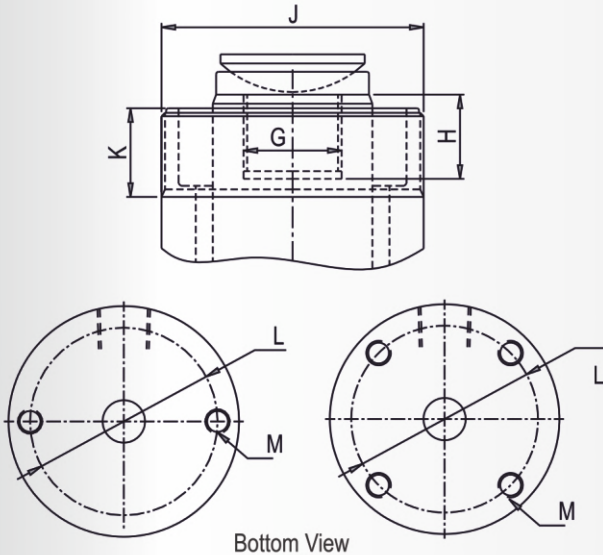
• Higher capacity and customized solutions on request. • Specifications are subject to change due to continual improvement.
• Capacity and Stroke specified are maximum safe limits. As safe practice, use at 80% of rating.



HYDRAULIC CYLINDER GENERAL PURPOSE

ASPS SERIES

Capacity: 10 - 500 TON
Single Acting, Spherical Saddle
700 Bar (10,000 psi)



Model	G Ram internal thread	H Thread depth (mm)	J Collar threads	K Length (mm)	L PCD x No. of holes	M Bottom thread size	Thread depth (mm)
ASPTS 10	M22x2P	17	M60x2P	30	40x2	M8	12
ASPTS 15	M22x2P	20	M70x2P	30	45x2	M8	12
ASPTS 20	M24x2P	25	M80x2P	35	55x2	M8	12
ASPTS 25	M24x2P	25	M90x2P	40	60x2	M10	16
ASPTS 30	M30x2P	25	M100x3P	40	65x2	M10	16
ASPTS 50	M42x2P	25	M130x3P	40	90x2	M10	16
ASPTS 75	M48x2P	25	M155x3P	40	110x2	M10	16
ASPTS 100	M48x2P	25	M180x3P	40	125x4	M12	16
ASPTS 150	M82x2P	25	M220x3P	50	150x4	M16	18
ASPTS 200	M90x2P	25	M255x4P	50	180x4	M16	22

Model	Rated capacity (ton)	Capacity @ 700 bar (kN)	Stroke (mm)	Effective area (cm ²)	Oil cap. (cc)	A Coll Height (mm)	B Cylinder OD (mm)	C Bore dia. (mm)	D Ram dia. (mm)	E Saddle dia. (mm)	Wt. (Approx.) (kg)
ASPS 75-50	75	792	50	113.1	565	205	155	120	95	88	25.2
ASPS 75-100	75	792	100	113.1	1131	255	155	120	95	88	30.8
ASPS 75-150	75	792	150	113.1	1696	305	155	120	95	88	36.4
ASPS 75-200	75	792	200	113.1	2262	355	155	120	95	88	42
ASPS 100-50	100	1077	50	153.9	770	205	180	140	110	100	34
ASPS 100-100	100	1077	100	153.9	1539	255	180	140	110	100	41.5
ASPS 100-150	100	1077	150	153.9	2309	305	180	140	110	100	49
ASPS 100-200	100	1077	200	153.9	3079	355	180	140	110	100	56.5
ASPS 150-50	150	1589	50	227.0	1135	225	220	170	140	130	56
ASPS 150-100	150	1589	100	227.0	2270	275	220	170	140	130	67.5
ASPS 150-150	150	1589	150	227.0	3405	325	220	170	140	130	79.4
ASPS 200-50	200	2199	50	314.2	1571	240	255	200	160	150	79
ASPS 200-100	200	2199	100	314.2	3142	290	255	200	160	150	94
ASPS 200-150	200	2199	150	314.2	4712	340	255	200	160	150	109
ASPS 250-100	250	2661	100	380.1	3801	305	280	220	180	165	119
ASPS 250-150	250	2661	150	380.1	5702	355	280	220	180	165	138
ASPS 250-200	250	2661	200	380.1	7603	405	280	220	180	165	157
ASPS 300-100	300	3167	100	452.4	4524	320	310	240	200	180	155
ASPS 300-150	300	3167	150	452.4	6786	370	310	240	200	180	179
ASPS 300-200	300	3167	200	452.4	9048	420	310	240	200	180	203
ASPS 400-100	400	4008	100	572.6	5726	355	350	270	220	212	220
ASPS 400-150	400	4008	150	572.6	8588	405	350	270	220	212	250
ASPS 400-200	400	4008	200	572.6	11451	455	350	270	220	212	280
ASPS 500-100	500	4948	100	706.9	7069	365	400	300	250	230	295
ASPS 500-150	500	4948	150	706.9	10603	415	400	300	250	230	335.5
ASPS 500-200	500	4948	200	706.9	14137	465	400	300	250	230	376

- Higher capacity and customized solutions on request. • Specifications are subject to change due to continual improvement.
- Capacity and Stroke specified are maximum safe limits. As safe practice, use at 80% of rating.