

HYDRAULIC CYLINDER GENERAL PURPOSE

ASP SERIES

Capacity: 100 - 400 TON
Single Acting, Spring-Return
700 Bar (10,000 psi)



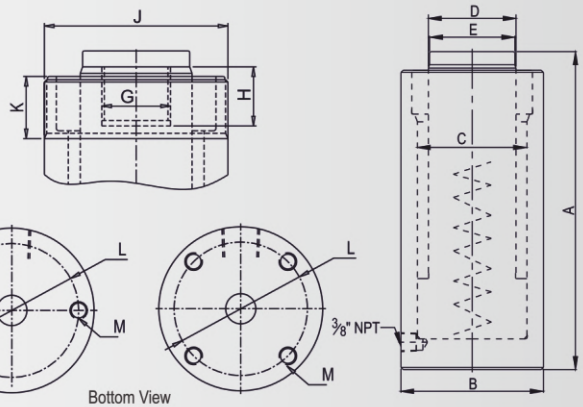
FEATURES

- Multipurpose jacks.
- Gland Nut designed to withstand dead end load.
- Base mounting holes & collar threads are optional.
- Used in horizontal & vertical directions.
- Maintenance, fabrication, construction, Heavy industries, power & process plants, shipyards.

Mounting Details (Optional):

ASPT Series - T Collar Threads with Base Mounting Holes

Model	G Ram internal thread	H Thread depth (mm)	J Collar threads	K Length (mm)	L PCD x No. of holes	M Bottom thread size	Thread depth (mm)
ASPT-5	M16x2P	15	M45x2P	25	25x2	M6	12
ASPT-10	M22x2P	17	M60x2P	30	40x2	M8	12
ASPT-15	M22x2P	20	M70x2P	30	45x2	M8	12
ASPT-20	M24x2P	25	M80x2P	35	55x2	M8	12
ASPT-25	M24x2P	25	M90x2P	40	60x2	M10	16
ASPT-30	M30x2P	25	M100x3P	40	65x2	M10	16
ASPT-50	M42x2P	25	M130x3P	40	90x2	M10	16
ASPT-75	M48x2P	25	M155x3P	40	110x2	M10	16
ASPT-100	M48x2P	25	M180x3P	40	125x4	M12	16
ASPT-150	M82x2P	25	M220x3P	50	150x4	M16	18
ASPT-200	M90x2P	25	M255x4P	50	180x4	M16	22



Model	Rated capacity (ton)	Capacity @ 700 bar (kN)	Stroke (mm)	Effective area (cm ²)	Oil cap. (cc)	A Coll Height (mm)	B Cylinder OD (mm)	C Bore dia. (mm)	D Ram dia. (mm)	E Saddle dia. (mm)	Wt. (Approx.) (kg)
ASP 100-50	100	1077	50	153.9	770	185	180	140	110	108	33
ASP 100-100	100	1077	100	153.9	1539	235	180	140	110	108	40.5
ASP 100-150	100	1077	150	153.9	2309	285	180	140	110	108	48
ASP 100-200	100	1077	200	153.9	3079	335	180	140	110	108	55.5
ASP 150-50	150	1589	50	227.0	1135	200	220	170	140	138	54
ASP 150-100	150	1589	100	227.0	2270	250	220	170	140	138	65.5
ASP 150-150	150	1589	150	227.0	3405	300	220	170	140	138	77
ASP 200-50	200	2199	50	314.2	1571	215	255	200	160	158	76
ASP 200-100	200	2199	100	314.2	3142	265	255	200	160	158	91
ASP 200-150	200	2199	150	314.2	4712	315	255	200	160	158	106.5
ASP 250-100	250	2661	100	380.1	3801	270	280	220	180	177	114
ASP 250-150	250	2661	150	380.1	5702	320	280	220	180	177	133
ASP 250-200	250	2661	200	380.1	7603	370	280	220	180	177	152
ASP 300-100	300	3167	100	452.4	4524	285	310	240	200	196	149
ASP 300-150	300	3167	150	452.4	6786	335	310	240	200	196	173
ASP 300-200	300	3167	200	452.4	9048	385	310	240	200	196	197
ASP 400-100	400	4008	100	572.6	5726	315	350	270	220	216	209
ASP 400-150	400	4008	150	572.6	8588	365	350	270	220	216	239
ASP 400-200	400	4008	200	572.6	11451	415	350	270	220	216	269

• Higher capacity and customized solutions on request.

• Specifications are subject to change due to continual improvement.

• Capacity and Stroke specified are maximum safe limits. As safe practice, use at 80% of rating.