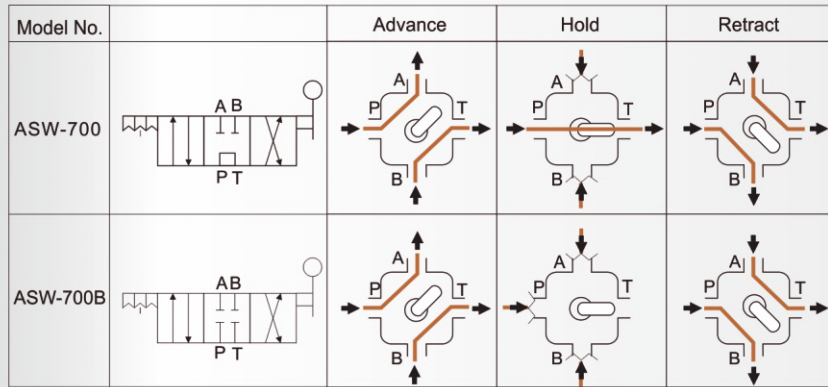


## FEATURES

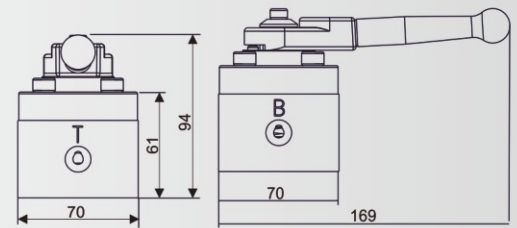
- 4-way/3-position. Lever operated, detent positioned.
- Application :double-acting cylinders and single-acting cylinders which be equipped with SV-66-3.
- Provides "advance", "hold" and "return".



## CONTROL VALVES

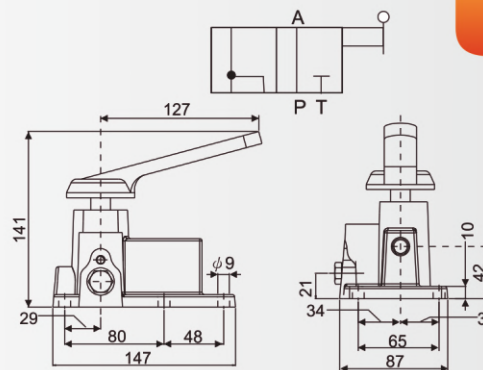


ASW-700



## FEATURES

- 3-way/2-position manual control valve.
- Provides "advance" and "return".
- For use with single-acting cylinder.



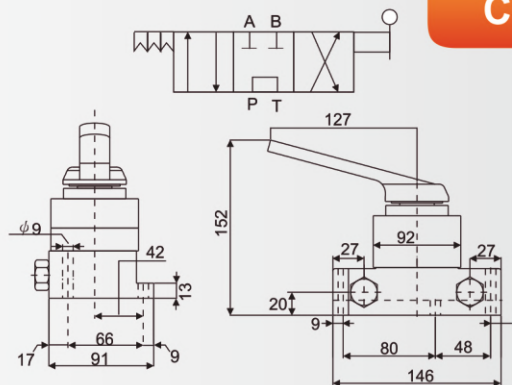
## CONTROL VALVES



AVM-S2

## FEATURES

- 4-way/3-position manual control valve.
- Tandem centre, lever operated, detent positioned.
- Provides "advance", "hold" and "return".
- For use with double-acting or two single-acting cylinder.



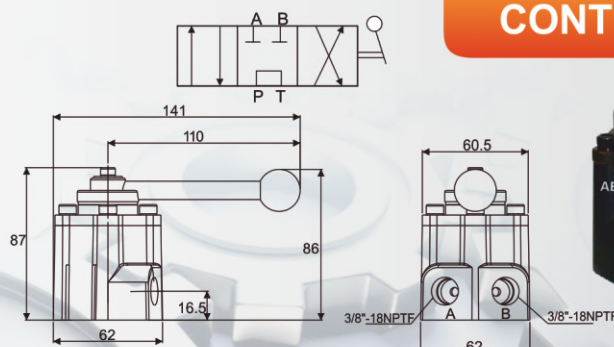
## CONTROL VALVES



AVM-D4

## FEATURES

- 4-way/3-position manual control valve.
- Tandem centre, lever operated, detent positioned.
- Provides "advance", "hold" and "return".
- For use with double-acting or two single-acting cylinder.



## CONTROL VALVES



AVR-D4