

SHOP PRESS | C FRAME

C FRAME PRESS

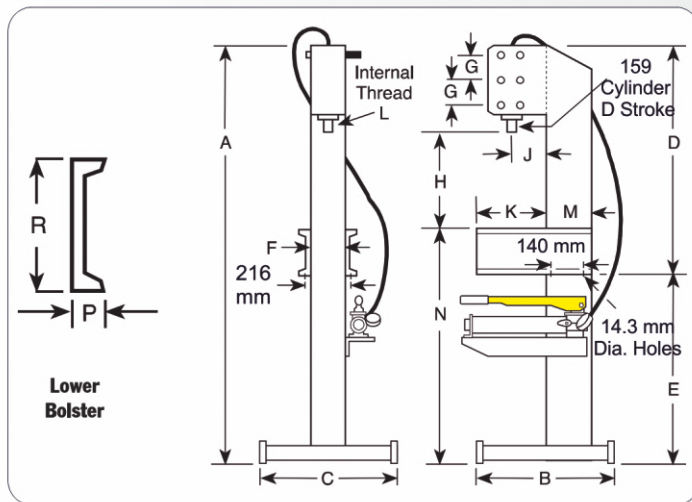
Capacity: 25 Ton

FEATURES

- Can be bench mounted or on optional pedestal base.
- Bench Mount require less than 1.4 sq. M. Of space on optional pedestal, only 0.4 sq m.. Of floor space is needed.
- Open throat design makes loading and unloading of work easy.
- Cylinder head adjusts to three convenient working positions, providing up to 514mm of "Daylight".
- Hydraulic Cylinder Delivers a 159mm Stroke, is Driven by a p-109 two-Speed hand pump.

Pedestal base No. AB60856 -

Provides a stable base for APM256C. Includes a bracket for mounting the pump on the side of pedestal press. Wt., 34.5 kg.



Dimensions

A	B	C	D	E	F	G	H (Cyl. Retracted)	J	K	L	M	N	P	R	Floor Space
(mm)	(mm)	(mm)	(mm)	(mm)	(mm)	(mm)	(mm)	(mm)	(mm)	(mm)	(mm)	(mm)	(mm)	(mm)	(mm)
1972	622	610	1057	914	152	127	260, 387, 514	165	318	1 1/4-16	203	1092	51	178	610 X 622

TECHNICAL DATA

Model No.	Cyl. Model	Capacity (tons)	Type Cyl. Used	Stroke (mm)	Speed Advance	Pressing	Type Pump	Pump Model	Prod. Wt. (kg)
APM256C*	ARC256	25	Single-Acting	159	3.3mm /stroke	0.8mm /stroke	Hand	P-109	108

* Typical performance based on pump specifications. Actual speeds may vary with operating conditions.