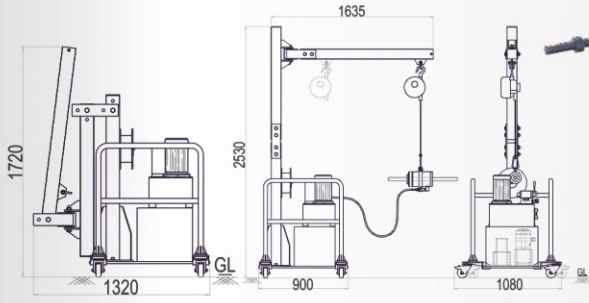


FEATURES

- Fitments of Pins & bushes in assembly line.
- Maintenance of heavy duty pin joints in earth moving equipment on site / workshop.
- Customised tool kits on request.
- Hand pump / motorized power pack (optional).
- Also available with Aluminium Jack.
- Box for storage.



ALLOY STEEL JACK PIN & BUSH REPLACEMENT TOOL WITH TROLLEY

ARTT SERIES

Capacity: 3 & 50 TON
Stroke: 50-100 mm
700 Bar (10,000 psi)

Tool Kit	30 ton	50 ton
Pull Rod with nuts	M33 x 1000 mm - 1 No.	M39 x 1000 mm - 1 No.
Threaded Adaptor	M24 (ext.) x M33 (int.) - 1 No. M30 (ext.) x M33 (int.) - 1 No.	M30 (ext.) x M39 (int.) - 1 No. -
'C' Sleeve	115 mm x 145 mm - 2 Nos.	175 mm x 145 mm - 2 Nos.
Locator	1 No.	1 No.

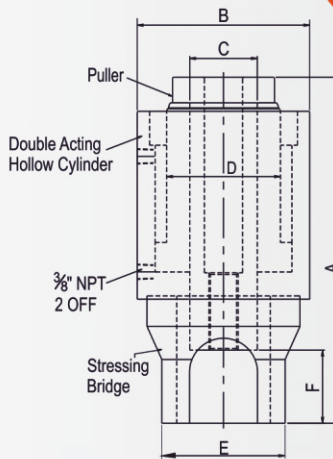
* Use 30t Sleeve with locator

Model	Rated capacity (ton)	Capacity @ 700 bar (kN)	Stroke (mm)	Jack Model	Wt. Jack+Tool (Approx.) (kg)	Suitable Pumping Unit	
						Hand pump	Power pack (Optional)
ARTT 30-50	30	298	50	ASH 30-50	31	P-123	APE-3000
ARTT 50-100	50	550	100	ASH 50-100	57	P-123	APE-3000



FEATURES

- Used with high tensile threaded bars for stressing, pulling & locking.
- Short strokes for lifting / aligning of segments & temporary stressing.
- Long strokes for pulling & locking multiple strands of concrete structure with tension bar attached to the pulling bracket.
- Customised Alloy Aluminium Bar Jacks - 25, 40, 60, 150, 200 & 300 ton.
- Designed to suit stressing bars of reputed makes of Macalloy, VSL, Freyssinet, Dextra, Tensacciai, Dywidag, Williams & others.
- Safety Pressure Relief valve in return line.



MACALLOY HOLLOW JACKS

BTJ SERIES

Capacity: 80 - 400 TON
Stroke: 100 mm



Aluminium Construction Steel Construction

Model	Capacity (ton)	Capacity (kN)	Stroke (mm)	Max. bar dia. (mm)	Effective area (cm ²)	Oil cap. (cc)	A Coil Height (mm)	B Cylinder OD (mm)	C C'hole dia. (mm)	D Ram dia. (mm)	E Stool dia. (mm)	F Puller height (mm)	Wt. (Approx.) (kg)
BTJ 80-100	80	846	100	32	130.2	1302	427	205	80	130	160	76	70
BTJ 120-100	120	1285	100	40	183.6	1840	530	230	81	140	180	100	97
BTJ 180-100	180	1853	100	50	285.0	2850	486	280	91	160	200	91	151
BTJ 400-100	400	4082	100	75	742.2	7422	690	400	100	250	390	-	433