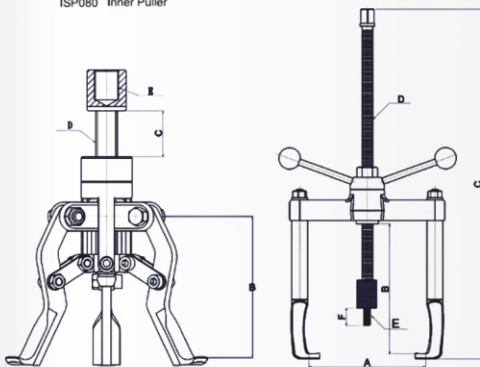
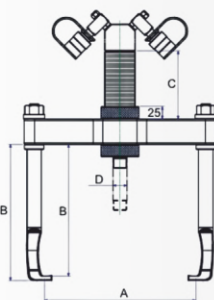
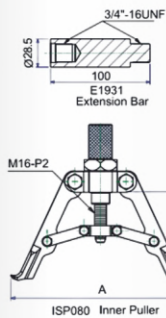


## 3 in 1 PUSH PULLERS APDR SERIES



### SIMPLE, EASY

- Designed for multiple works on installing, outer pulling and inner pulling.
- The pushing jaw heads on the inner ring of the bearing which prevents the force and/or heat from being transmitted through the outer ring and the rolling parts, minimizing the risk of bearing damaged.

### USER-FRIENDLY

- Unique & Patented double action pump body to provide the pushing and pulling force.
- Unique jaw design for installing and outer pulling without removing and changing.
- Three jaw structure provides the even and constant force whenever for installing, outer pulling and inner pulling.
- The extension bars can be used where necessary for reach.
- Self-centering design on inner puller provides the even force and prevents the jaws from sliding off during operating.

### SAFE

- The built-in safety valve prevents the user being harmed and work object being damaged by rated pressure which can not be reset or adjusted.
- Most parts are forged SCM440 alloy steel, creating a durable and safe product.

### SAVING COST

- The Three-in-One design reduces tool-reset time and duration of operation.
- This push puller is ideal for installing and dismantling a wide variety of press-fit parts, including bushings, wheels, bearings, gears and pulleys.

Model No.	Operation	Output (Tons)	A (mm)	B (mm)	C (mm)	D (mm)	E (mm)	F (mm)	Weight (kgs)
APD12080	Installing	8	44-280	270	135	28	M12-P1.75	34	36
	Outer Pulling	12	85-300	260	135	28	---	---	
	Inner Pulling	8	90-245	130-150	---	---	1"-12UNF	---	
APDR12080	Installing	8	44-280	270	135	28	M12-P1.75	34	34
	Outer Pulling	12	85-300	260	135	28	---	---	
	Inner Pulling	8	90-245	130-150	---	---	1"-12UNF	---	
AMD6203	Installing	8	70-206	240	720	3/4"-10UNC	M12-P1.75	34	12
	Outer Pulling	8	29-186	230	720	3/4"-10UNC	---	---	
	Inner Pulling	8	52-150	130-150	34	5/8"-11UNC	3/4"-10UNC	---	