

AERO BOOM[®]

**HIGH FORCE HYDRAULIC
TOOLS & SOLUTIONS**

INBUILT PULLER



OPERATION MANUAL

www.aeroboom.com

info@aeroboom.com

INTRODUCTION

The Aeroboom CK Series range of In built hydraulic pullers is designed and manufactured to the highest industry standards and has proven to be an extremely versatile tool for a wide range of applications, including removing press fit parts such as wheels, gears, sprockets, sleeves, pulleys and other similar items. The range offers 9 models, each with integral manually operated hydraulic pump and multi-position operating handle. The completely sealed hydraulic system of the CK Series hydraulic pullers enables use of the tool in any position. Each unit is supplied with a safety cover, to prevent flying debris during operation.

SAFETY NOTES

- Safety glasses must be worn by anyone in sight of the puller.
- Pullers should only be used by persons familiar with them.
- Ensure that the correct capacity and size of puller is used for the job.
- Always apply force gradually.

Sufficient time must be allowed for set up to ensure that the puller is centrally positioned on the component being pulled. Incorrect alignment may result in a dangerous operating situation due to the high hydraulic pressures involved.

NOTE: Pullers have a 2/3-way combination puller head. It is strongly recommended that the 3 jaw combination be used whenever possible. The 3 jaw combination allows a better distribution of puller force as well as a better grip of the component.

PULLER SETUP AND OPERATION

1. Select the correct capacity and size puller for the job. This is determined by measuring 'reach' and 'diameter' of the component being pulled.

Model Number	Capacity (Ton)	Stroke H (mm)	Reach (mm)	Spread (mm)	Jaw Tip (mm)			PumpTip (mm)			Weight (kg)
					A	B	C	E	F	G	
CK-4	4	60	185	255	11	6	22	42	22	84	4.5
CK-5	5	70	220	330	12	10	22	45	23	94	5.5
CK-6	6	70	220	330	12	10	22	45	23	94	5.8
CK-8	8	85	230	350	13	10	25	50	25	118	7.4
CK-10	10	85	270	375	14	10	29	60	28	122	7.8
CK-12	12	85	270	375	14	10	29	60	28	122	8.0
CK-15	15	85	270	375	25	10	29	60	28	122	9.5
CK-20	20	111	360	520	20	27	33	80	40	160	22
CK-30	30	111	360	550	20	27	38	98	50	155	32

- 2 Place the handle assembly into the handle clevis.
See Figure 1.

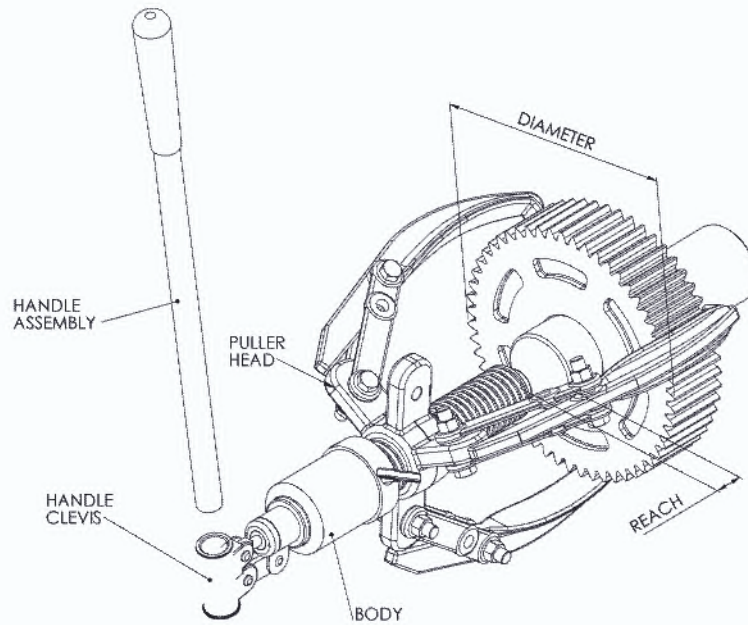


FIGURE 1.

- 3 Turn the control valve knob completely clockwise to allow the piston to advance.

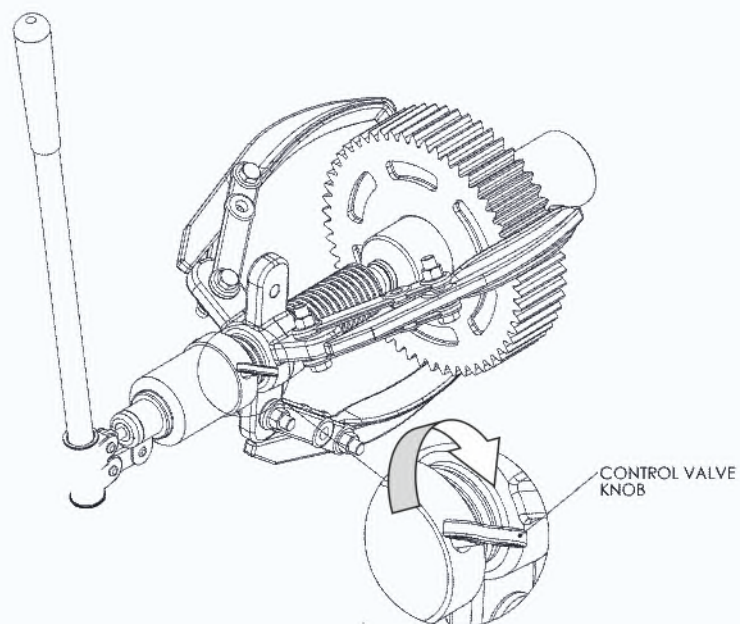


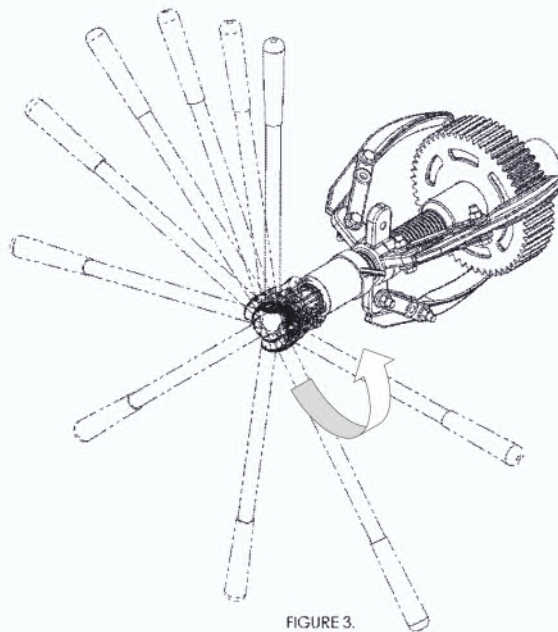
FIGURE 2.

IMPORTANT: Ensure that the control valve knob is not in contact with the puller head and that it can be turned freely.

4. Position the puller and puller jaws around the component to be pulled, adjusting the puller straps and jaws as required. Take up any slack by threading the puller head further down the puller body.

Begin pumping the handle to advance the piston, making any final adjustments to ensure correct alignment with the component being pulled.

5. The handle assembly rotates a full 360° to allow the best position for the job. See Figure 3.



6. Advance the piston until the part is removed making sure to support the puller body with one hand. See Figure 4.

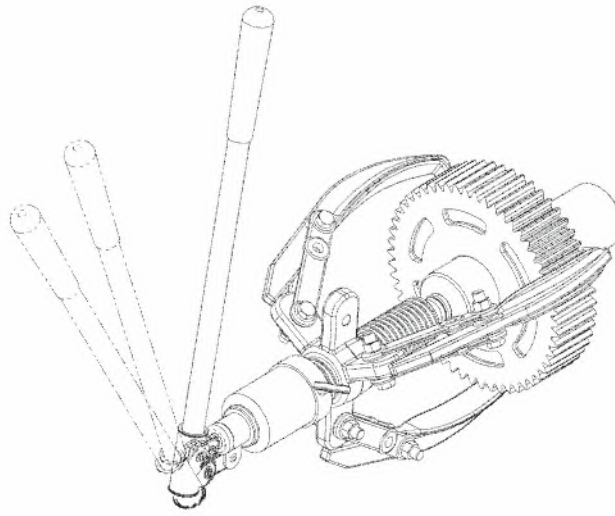


FIGURE 4.

7. Once component is removed, turn the control knob completely anticlockwise to retract the piston. See figure 6.

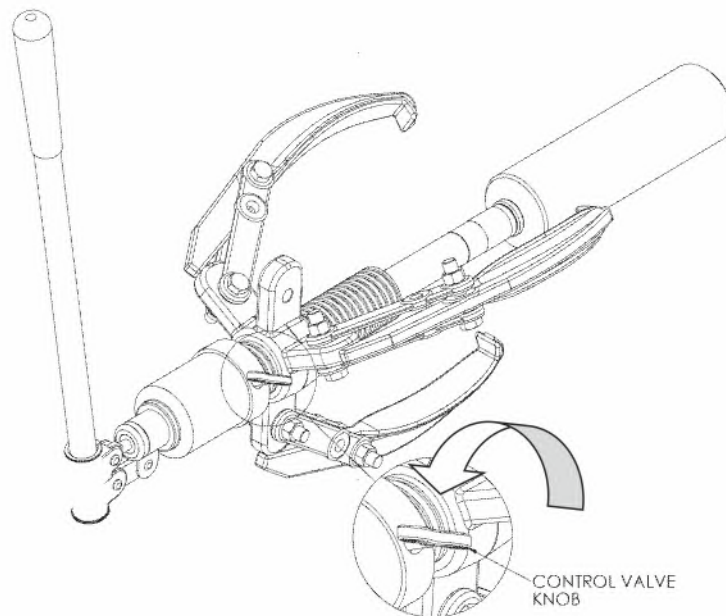


FIGURE 6.



WORLDWIDE HYDRAULIC SOLUTIONS

AEROBOOM CORPORATION

INDIA

Laxmi Industrial Estate, Suite No: 617, 6th Floor, Laxmi Plaza,
New Link Road, Andheri (W) Mumbai - 400053, Maharashtra, India.
Ph: +91-22-4010 4288

GERMANY

Hans Geiger-Str, 221465 Reinbek Germany.

UNITED KINGDOM

124 City Road, London, EC1V 2NX, United Kingdom.

YOUR NEAREST DISTRIBUTOR



Email: info@aeroboom.com

Web: www.aeroboom.com

LIFETIME WARRANTY

Aeroboom warrants all of its products to be free from defects in material and workmanship for the life of the product. This warranty applies to original purchaser and is not transferable. Damaged components, including broken welds, dented or crushed cylinder walls, bent pistons, or couplers are the result of misuse, and are not covered under this warranty. Items such as seals, o-ring and spring wearing out shall not constitute a defect and shall not be considered for warranty credit. We believe that the Aeroboom products you purchase will meet or exceed your performance requirements. However, in the unlikely event that an Aeroboom product fails due to material or workmanship defect please contact Aeroboom, to have it resolved.



Aeroboom does reserve the right to make changes to the specifications of any product or discontinue any product, contained within this catalogue without prior notice.

